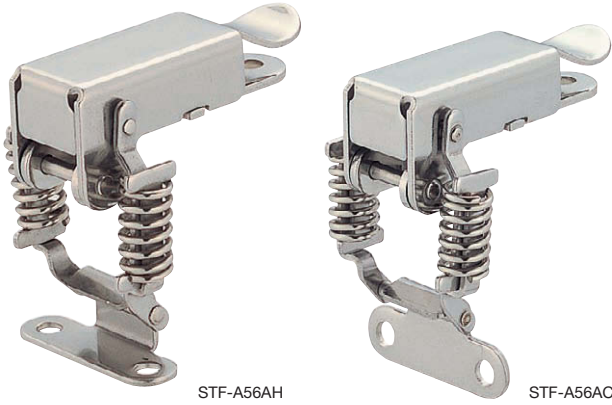


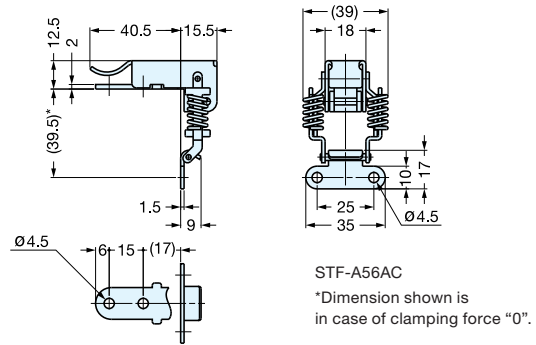
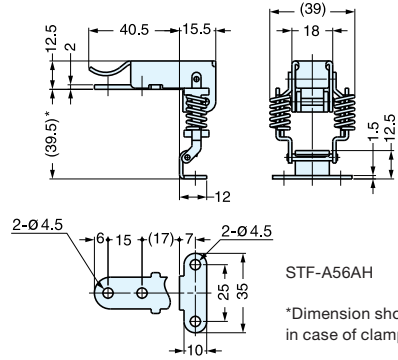
CORNER FASTENER



STF-A56AH, AC



- Designed to allow front operation.
- Available in two different counter plate style.



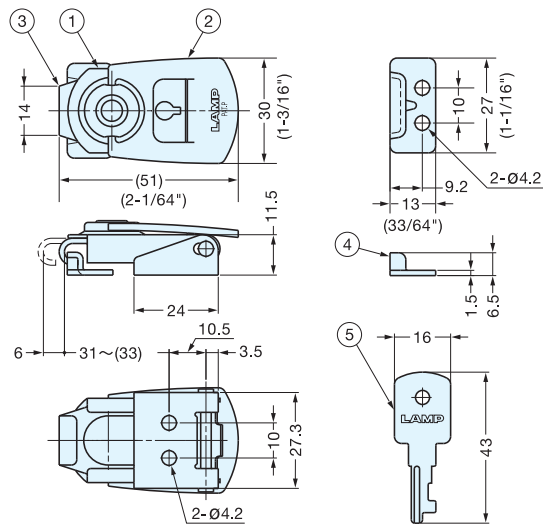
Material	Finish		
304 Stainless Steel	Polished		
Item No.	Weight (g)	Box (pcs)	Carton (pcs)
STF-A56AH	56	100	1000
STF-A56AC			

MINI DRAW LATCH



PN-51

- Small stainless draw latch with key.
- Note: No key changes available.



Item No.	Weight (g)	Box (pcs)	Carton (pcs)
PN-51	50	40	400

No.	Part Name	Material	Finish
①, ②	Body, Lever	304 Stainless Steel	Plain
③	Hook		
④	Counterplate		
⑤	Key	Steel	Nickel