

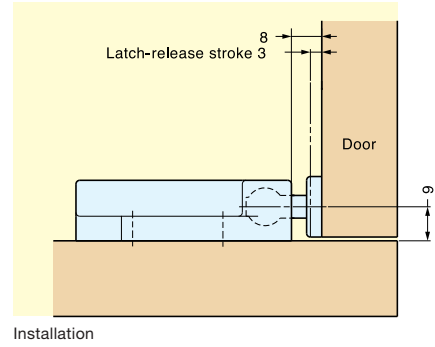
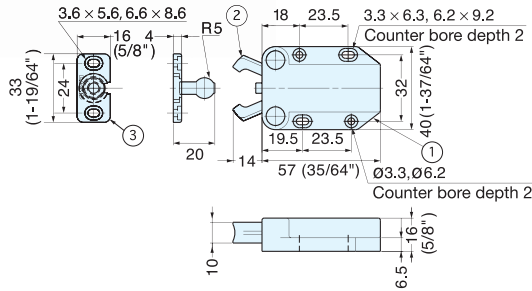
# NON-MAGNETIC TOUCH LATCH



MC-37



- Strong retaining force.
- Floating strike for easy alignment.
- Note : For overlay door, allow 3mm (1/8") gap between door and cabinet frame for push motion. Pulling the door with excessive force without unlatching the unit may damage the mechanism. Constant loading of over 4kgf or excessive pushing or pulling is not recommended.



Item No.	Retaining Force (kg)	Weight (g)	Box (pcs)	Carton (pcs)	No.	Part Name	Material	Finish/Color
MC-37F BK	8 (17.6 lbs)	24	30	300	①	Body	ABS	Black
MC-37F BR					②	Arm	Polyacetal	Brown
MC-37F WH					③	Strike	Polyamide	White

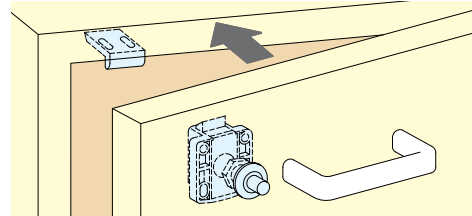
# PUSH LATCH



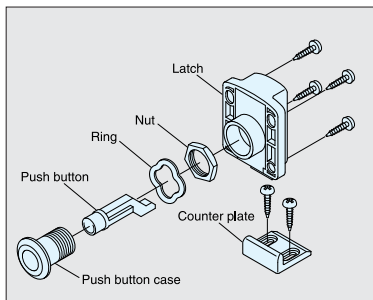
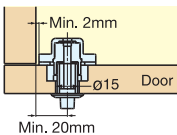
SL-B



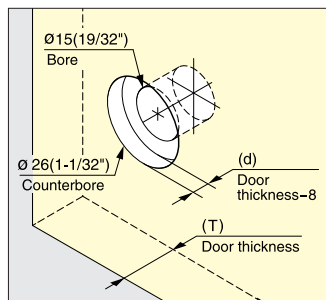
- Unique push latch
- Pull the handle while pushing the button to open door.
- Handle sold separately.



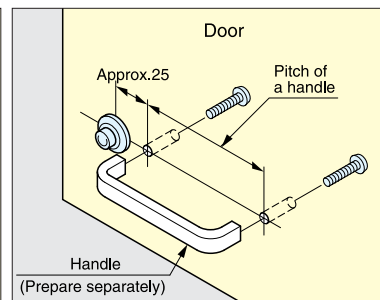
Handles are required to open the door.(Not included)



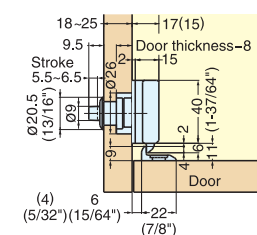
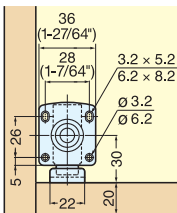
Detailed View



Bore Dimensions



Handle position



Item No.	Spacer Required	(T) Door Thickness	(d) Depth of Recess Hole
SL-B-211	o	18 ( 45/64" )	10 ( 25/64" )
	x	19 ( 3/4" )	11 ( 7/16" )
		20 ( 25/32" )	12 ( 15/32" )
SL-B-251	o	21 ( 53/64" )	13 ( 33/64" )
	x	22 ( 7/8" )	14 ( 35/64" )
		23 ( 29/32" )	15 ( 19/32" )
		24 ( 15/16" )	16 ( 5/8" )
		25 ( 63/64" )	17 ( 43/64" )

Please specify the finish when ordering.

Item No.	Holding Force(kg)	Weight (g)	Box (pcs)	Carton (pcs)
SL-B-211	16 (35 lbs)	23.5	20	200
SL-B-251				

Part Name	Material	Finish	Application
Body, Latch	Polyamide	Brown(BRN) Ivory(IVY)	RV and marine
Push Button	Polyacetal		
Counterplate			