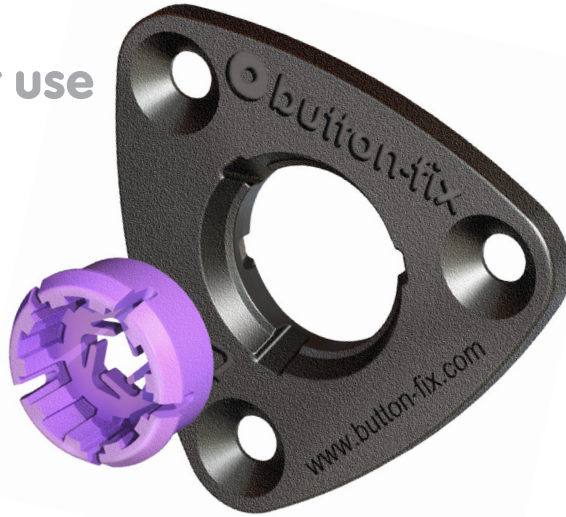


Instructions for use  
—Type 3 Fix



## Type 3 button-fix

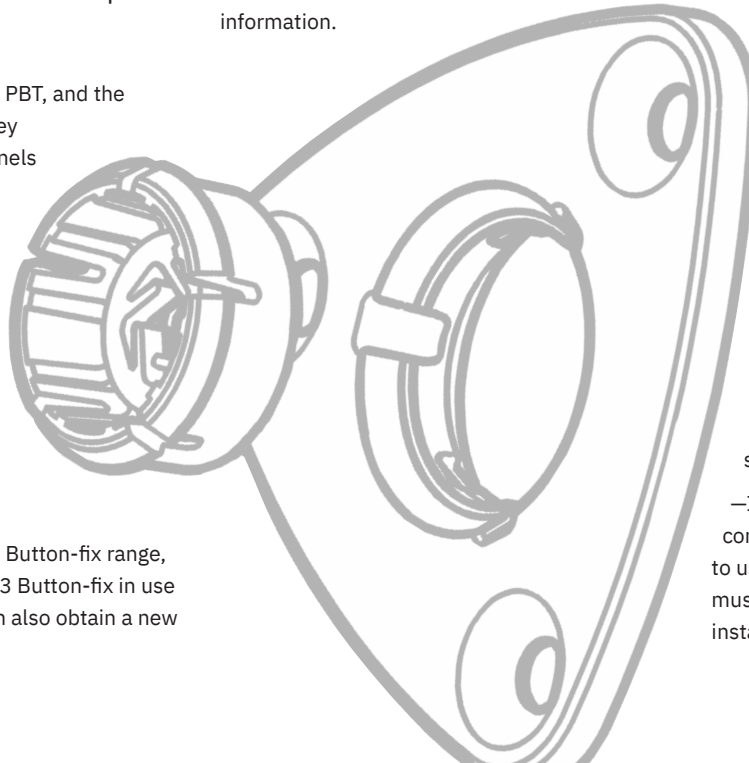
The Button-fix concept is simple: the Fixes are attached to the back of one panel and the mating Buttons are attached to the other. Bring the panels together and push until they 'click'.

The Type 3 Fix is moulded in PBT, and the Button in durable Acetal. They securely connect parallel panels with a simple push on/pull off engagement, requiring no gap either above or at the side of the removable panel. Type 3 Button-fix can be surface-mounted or rebated to save space, and used for hanging a wide variety of wall and ceiling panels.

Visit the website for more information on the complete Button-fix range, including videos of the Type 3 Button-fix in use and CAD downloads. You can also obtain a new

copy of these instructions from the website in the event of loss or in the event that Buttonfix modifies the instructions.

Buttonfix Limited retains the right to modify the instructions as it deems appropriate and the consumer is responsible for checking the website for the latest information.



## Warnings

—Button-fix is intended for furniture construction and interior fittings and is not intended, nor should it be used, for any other purpose.

—**WARNING:** Serious damage to property and severe bodily injury can result from

(1) improper use, application or installation of the Button-fix or (2) use as part of improperly designed or constructed assemblies or materials.

—Provided that the screws and substrate are properly matched, and all other instructions complied with, independent tests showed that a vertical panel fixed with four Type 3 Fixes can support loads weighing up to a maximum of 60kg (132 lbs). For critical applications it is essential to perform your own tests.

—Avoid any contact with aggressive solvents and cleaning products.

—It is not possible for Buttonfix to warn the consumer about every possible danger related to use of the Button-fix and the consumer must use his or her own good judgment when installing and using Button-fix.

## The fix

Type 3 Button-fix connects parallel panels with a straight push on/pull off action. Ideal for installations where the panel geometry does not suit the sliding engagement of the Type 1 fasteners and where there is no clearance around the panel.

However, the Type 3 Fix creates the same panel-to-panel gap as the Type 1 Fix, in either rebated or face-fixed orientations. It can, therefore, be used in conjunction with Type 1 on an installation. Type 3 also uses the same Button marker accessory as Type 1.

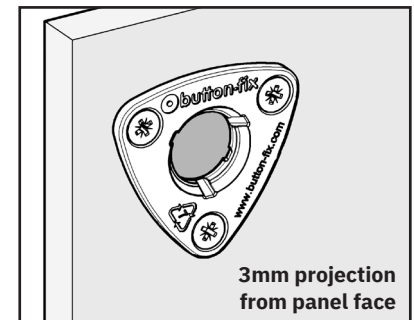
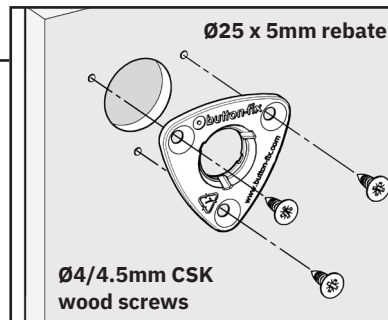
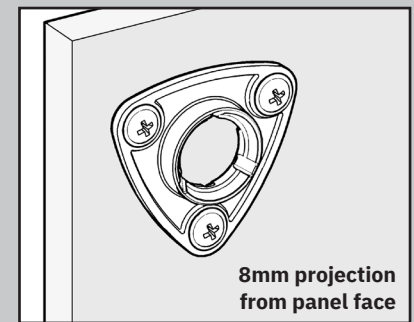
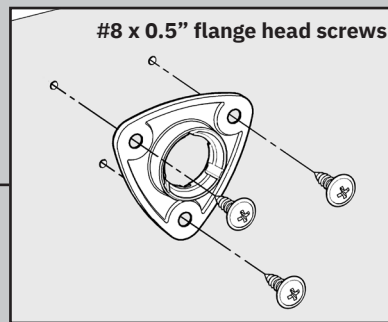
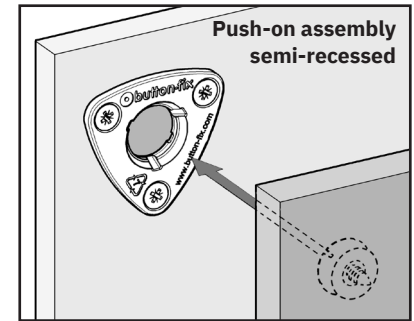
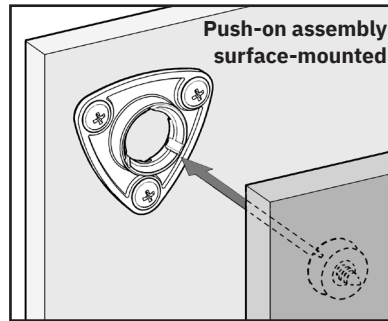
### 1. Surface-mounted Fix

The Fix can be surface-mounted giving an 8mm panel gap. Use three #8 x 0.5" flange head screws or similar (see the screw fixings guide on page 6).

### 2. Rebated Fix

The Fix can be semi-recessed into a  $\text{Ø}25$  hole, 5mm deep, with the flange mounted directly on the panel surface. This gives a 3mm panel gap. Use three countersunk screws up to  $\text{Ø}4.5\text{mm}$  (see the screw fixings guide on page 6).

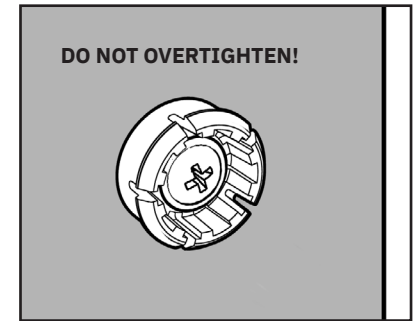
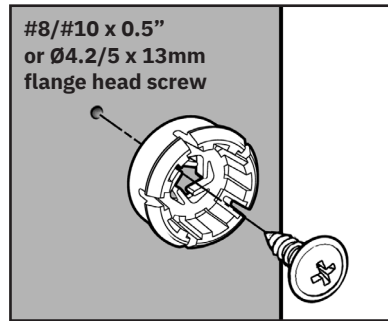
The rebate can be cut using a  $\text{Ø}25\text{mm}$  or 1" Forstner bit, flat blade, or a standard  $\text{Ø}26\text{mm}$  hinge cutter.



## The button

The fixing hole on the Button has flexible fingers, which centre the fixing screw but allow the Button to 'float', to take up any tolerance in the installation. This requires pan head or flange head screws to work effectively and to allow movement (see the screw fixings guide on page 6).

**Do not overtighten the Button screw** – only tighten the screw lightly. We do not recommend countersunk screws for attaching the Button.

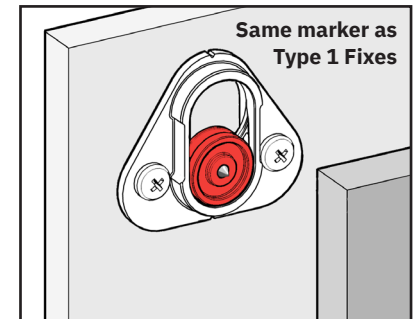
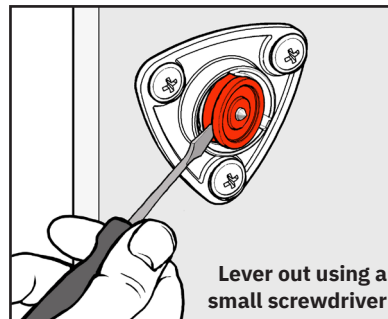
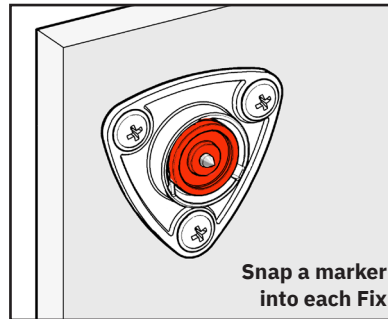


## Button marker accessory

The Button marker accessory helps to mark out where to install the Buttons, without the need for measurement. Type 3 uses the same Button marker accessory as all the Type 1 Fixes.

Once you have attached the Fix (see page 3), insert a marker into each one. Then position the second panel and press firmly – the markers will leave indents in the panel surface, which can be used as guides for positioning the Buttons. On surfaces that don't easily show marks, such as heavily textured or rough surfaces, apply a layer of masking tape or Gaffer tape onto the surface, which will show the indents more clearly.

Remove the markers using a small flat-blade screwdriver or needle-nose pliers at one of the three access slots on the Fix. The markers can be re-used to mark out the next panel.



## Suggested layout and loading guide

—**Wall Panels:** As an approximate guide, we suggest that Button-fix centres are no greater than 600mm apart and no closer than 35mm to the edge of the panel.

Four Type 3 Button-fixes can support a wall panel of up to 60kg in normal conditions\*. As a general rule, allow for a maximum loading of **15kg per Fix.**

—**Ceiling Panels:** As an approximate guide, we suggest that Button-fix centres are no greater than 400mm apart and no closer than 35mm to the edge of the panel.

Four Type 3 Button-fixes can support a ceiling panel of up to 10kg. As a general rule, allow for a maximum loading of **2.5kg per Fix.**

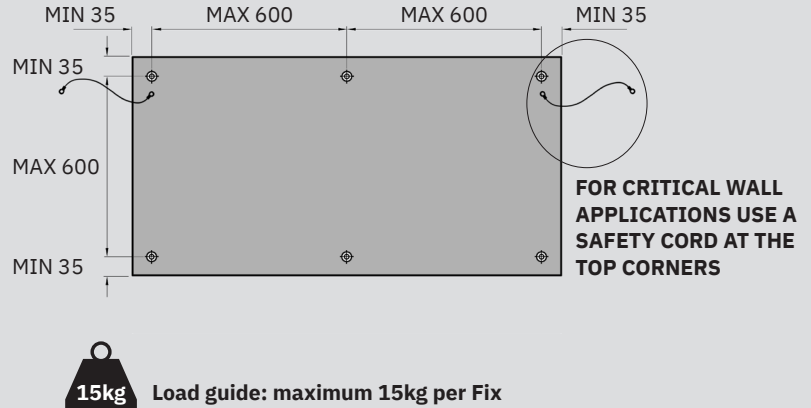
**\*IMPORTANT:** Any panel that is not vertical and is inclined such that the panel weight acts to disengage the Button-fix should be treated as a 'ceiling panel' for loading/spacing purposes, and the maximum loading reduced to 2.5kg per Button-fix. A maximum distance of 400mm between Button-fix centres is also recommended for maritime/transport applications.

## Safety cords/chains

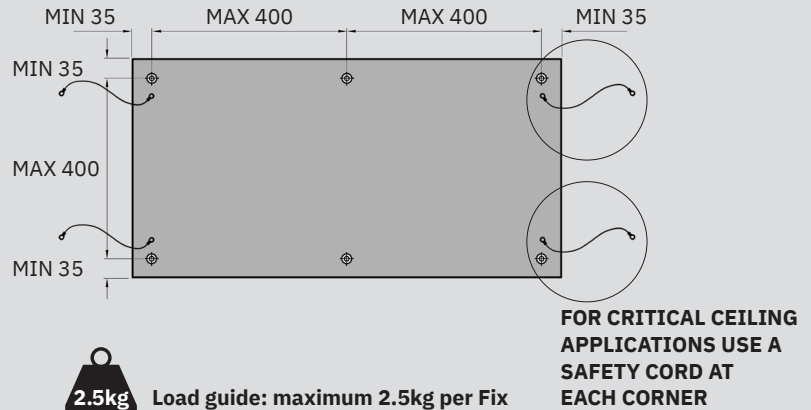
For critical applications, such as large panels in public areas, ceiling panels and in maritime/transport interiors, always use safety cords or chains. They should be specified to accommodate the load of the particular panel.

It can be helpful to incorporate a carabiner clip or spring hook on the cord/chain assembly to aid service access.

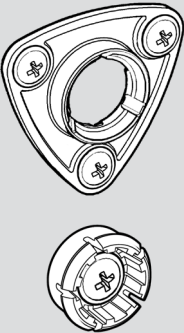

### Typical wall panel layout



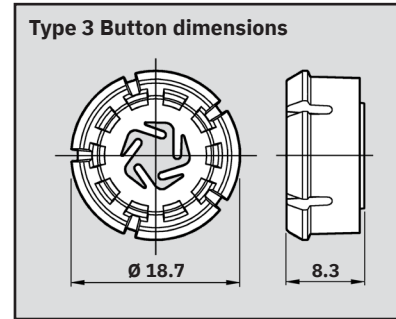
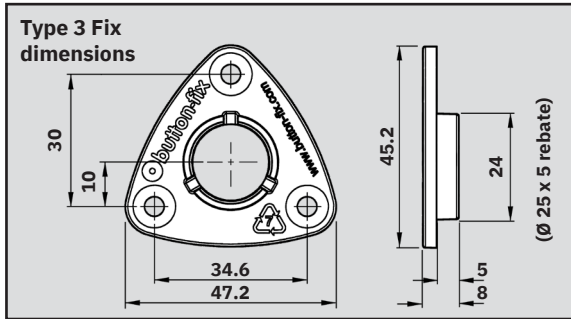
### Typical ceiling panel layout



## Screw fixings guide

Product/configuration	Panel thickness/ material	Screw type	net thread length	Notes
<b>Surface-mounted Fix and Button</b> 	<b>8 to 10mm thick</b> Plastic, HPL, Plywood, MDF, MFC	#8.16 x 0.375" flange head Plas-60	6.3mm	<b>Sales@intafast.com</b> Pilot drill Ø3mm in soft materials; Ø3.8mm in HPL and hard plastics
		#8 (4.2mm) x 0.375" (9.5mm) flange head PZ self-tapping	6.3mm	<b>Accu.co.uk</b> (product code: SPBFT-No.8-3/8-A2) A2 stainless steel
	<b>10 to 17mm thick</b> Plywood, MDF, MFC	#8 x 0.5" (12.7mm) flange head Easydrive PZ self-tapping	8.8mm	<b>Screwfix.com</b> (product code: 8979H) Add M5 x Ø10 x 1mm thick washer under screw head for 10mm material
		#8 (4.2mm) x 0.5" (12.7mm) flange head PZ self-tapping	8.8mm	<b>Accu.co.uk</b> (product code: SPBFT-No.8-1/2-A2) Add M5 x Ø10 x 1mm thick washer under screw head for 10mm material
	<b>18mm or greater</b> Plywood, MDF, MFC	#8 x 0.75" flange head Easydrive PZ	15.9mm	<b>Screwfix.com</b> (product code: 6553H)
		#10 x 0.75" flange head Easydrive PZ	15.9mm	<b>Screwfix.com</b> (product code: 9033H)
	Ø5 x 20mm pan head	16.5mm	Spax or similar	
<b>Rebated Fix</b>  <p><b>Always use countersunk screws</b></p>	<b>8 to 12mm thick</b> Plastic, HPL, Plywood, MDF, MFC	Ø4 x 8mm CSK Polyfix 45	6mm	<b>Accu.co.uk</b> (product code: SPK45-4-8-A2) Pilot drill Ø2.5mm in soft materials; Ø3mm in HPL and hard plastics
		<b>12 to 17mm thick</b> Plywood, MDF, MFC	#6 x 0.5" CSK Easydrive PZ	10.2mm
	#8 x 0.5" CSK PZ self-tapping		9.7mm	<b>Accu.co.uk</b> (product code: SPKT-No.8-1/2-A2)
	<b>18mm or greater</b> Plywood, MDF, MFC	Ø4.5 x 20mm CSK	16.8mm	Spax or similar. <b>Do not overtighten and check for witness marks on the panel face</b>
		#8 x 0.75" CSK Quicksilver PZ	16mm	<b>Screwfix.com</b> (product code: 13228)

Suggestions are based on screws available in the UK which have been tested for compatibility with Type 3 Button-fix. Screws from other suppliers may also be suitable but have not been validated by Buttonfix Limited – **always perform your own tests for critical applications.**



**Manufactured in the UK**

**Buttonfix Limited  
Unit A, 1 Britton Street  
London, EC1M 5NW**

**T: +44 (0)20 8150 7190**

**E: [info@button-fix.com](mailto:info@button-fix.com)**



**[button-fix.com](http://button-fix.com)**