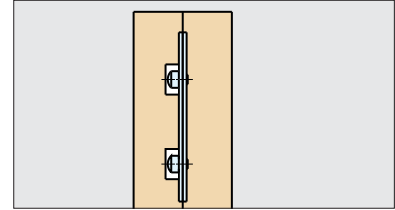
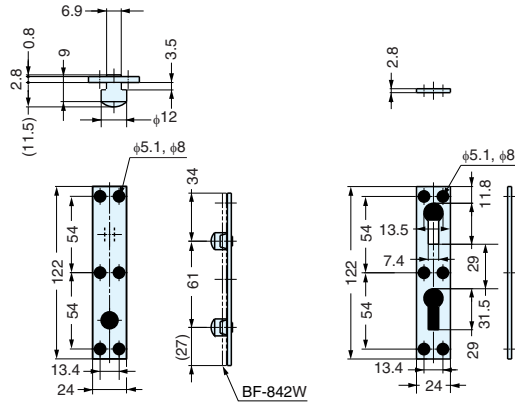


CONNECTING PART



BF-842W



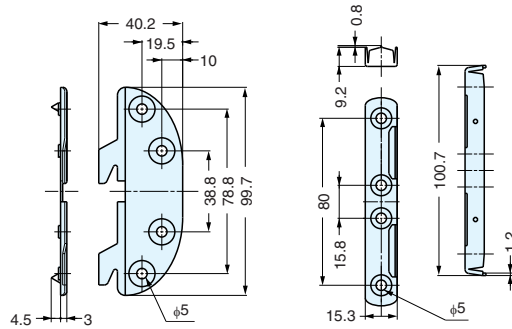
Item No.	Weight (g)	Box (pcs)	Carton (pcs)
BF-842W	126	20	200

Material	Finish
Steel	Clear Zinc Chromate

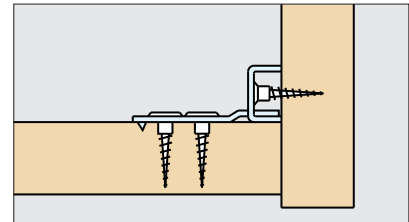
CONNECTING PART



BF-803



- Two versions - Type I and Type II - are available for left and right use.



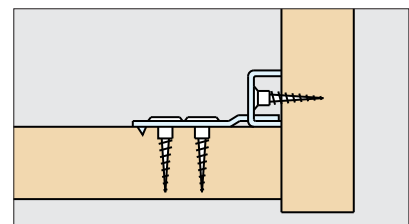
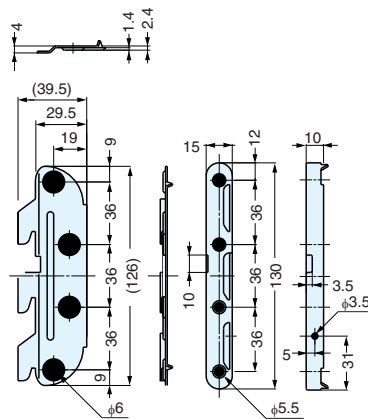
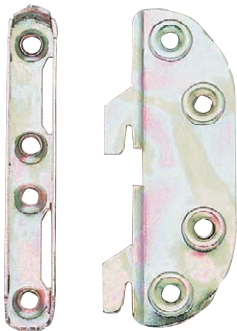
Item No.	Type	Weight (g)	Box (set)	Carton (set)
BF-8031	I	52.4	50	450
BF-8032	II	52.4	50	450

Material	Finish
Steel	Yellow Zinc Chromate

CONNECTING PART



BF-806



Item No.	Type	Weight (g)	Box (set)	Carton (set)
BF-8061	I	72.5	30	270
BF-8062	II	72.5	30	270

Material	Finish
Steel	Yellow Zinc Chromate