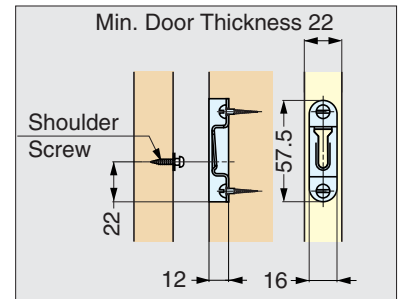
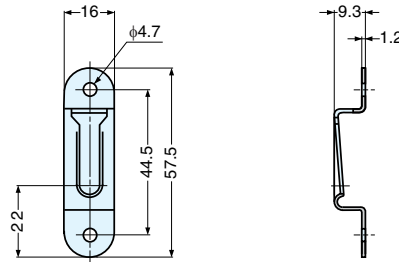
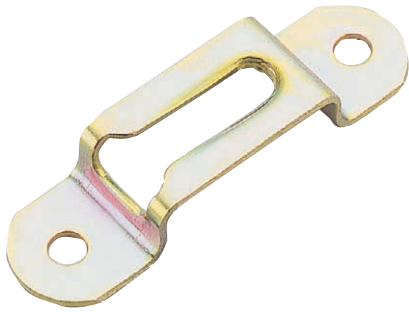


CONNECTING PART (CLIP)



6063

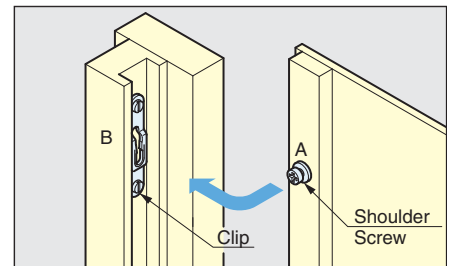
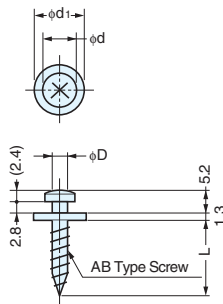
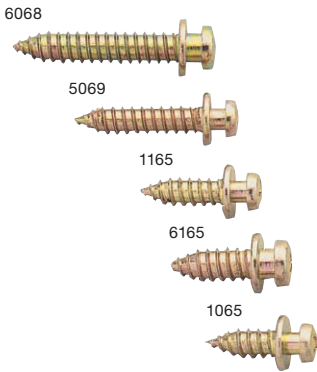
• Used with Shoulder Screw part. (P.334)



Item No.	Weight (g)	Box (pcs)	Carton (pcs)	Material	Finish
6063	7.7	250	2500	Steel	Yellow Zinc Chromate

CONNECTING PART (SHOULDER SCREW)

10/11/50/61/60

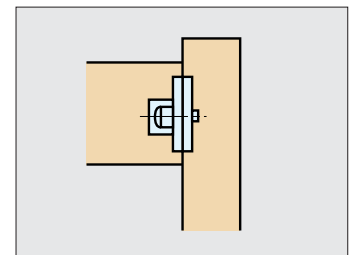
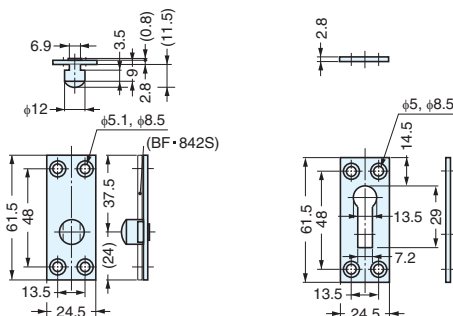


Item No.	L	D	d	d ₁	Weight (g)	Box (pcs)	Carton (pcs)	Combination	Material	Finish
1065	13	4	7	10	2.8	800	8000	4063A/5063	Steel	Yellow Zinc Chromate
1165	16	4	7	10	3.2	600	6000	4063A/5063		
5069	25.5	4	7	10	4	500	5000	4063A/5063		
6165	16	5.5	8.3	11	4.4	500	5000	6063		
6068	32	5.5	8.3	11	7	250	2500	6063		

CONNECTING PART



BF-842S



Item No.	Weight (g)	Box (pcs)	Carton (pcs)	Material	Finish
BF-842S	61.4	20	400	Steel	Clear Zinc Chromate