

HOOK

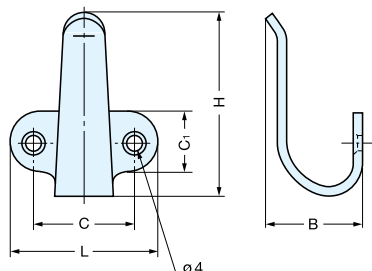
TEST METHOD

LOAD CAPACITY
6-10 kg
13.2-22 lbs

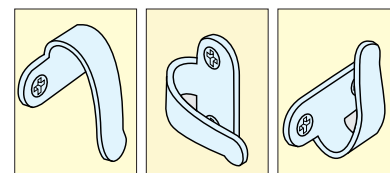
STAINLESS

STAINLESS 304 STEEL

2H



• Unique design, can also be used as a pull.



Installation

Material	Finish
304 Stainless Steel	Satin

Item No.	L	C	C ₁	H	B	Load Capacity (kg)	Weight (g)	Box (pcs)	Carton (pcs)	Screw
2H-20S	28 (1-3/32")	18	10	30 (1-3/16")	18	10 (22 lbs)	13	120	1200	3.1×16
2H-30S	32.5 (1-9/32")	20	13	39 (1-17/32")	18		18	100	1000	
2H-40S	35 (1-3/8")	21.5	16	44 (1-47/64")	23	6 (13.2 lbs)	23	80	800	3.5×16
2H-50S	43 (1-11/16")	30	18	56 (2-13/64")	25		34	50	500	

SWING HOOK

TEST METHOD

LOAD CAPACITY
5.6-6.7 kg
12-14 lbs

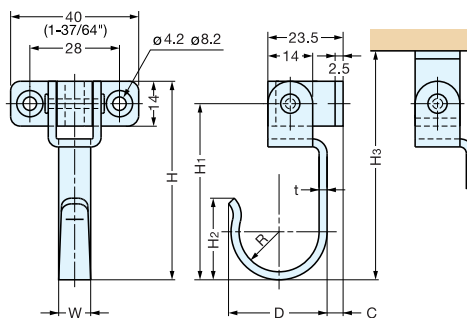
4×16 STAINLESS

STAINLESS 304 STEEL

UC



PAT



• Vertical swivel allows for under mount application.

Material	Finish
304 Stainless Steel	Satin

Item No.	W	D	H	H ₁	H ₂	H ₃	C	R	t	Load Capacity (kg)	Weight (g)	Box (pcs)	Carton (pcs)
UC-048	9 (23/64")	(24.9) (63/64")	55 (2-11/64")	48 (1-57/64")	(21.4) (27/32")	64.5	6.5	10	2	5.6 (12 lbs)	37	40	400
UC-055	10 (25/64")	(30.8) (1-7/32")	62 (2- 7/16")	55 (2-11/64")	(25.5) (57/64")	71.5	5	12.5	2.5	6.7 (14 lbs)	45	25	250

SWING HOOK

TEST METHOD

LOAD CAPACITY
6.7-8.9 kg
14-19 lbs

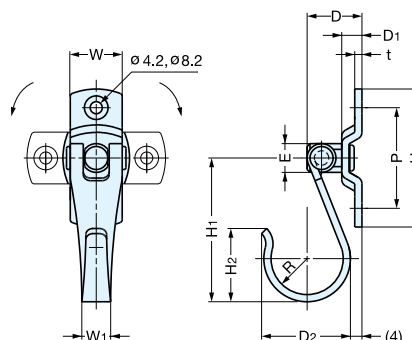
4×16 STAINLESS

STAINLESS 304 STEEL

UJ



PAT



• Rotates 360° and swivels 180°.
• Can be mounted in various directions.

Material	Finish
304 Stainless Steel	Satin

Item No.	W	W ₁	D	D ₁	D ₂	H	H ₁	H ₂	P	E	R	t	Load Capacity (kg)	Weight (g)	Box (pcs)	Carton (pcs)
UJ-040	16	(9)	16.5	5.5	(24.9) (63/64")	42	40 (1-37/64")	(21.4)	30	ø 9	10	2	6.7 (14 lbs)	27	50	500
UJ-050	18	(10)	19	7	(30.8) (1-7/32")	48	50 (1-31/32")	(25.5)	35	ø10	12.5	2.5	8.9 (19 lbs)	45	30	300