

FOLDING BRACKET

LOAD CAPACITY
11.4~13.4 kg
25~29.5 lbs



BTO

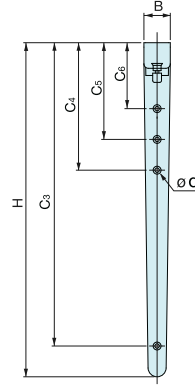
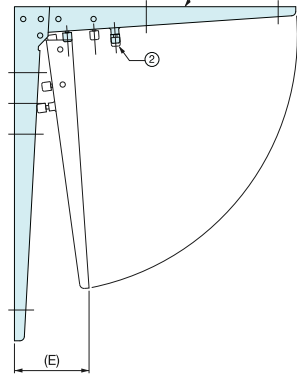
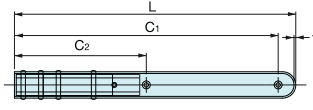
BRACKETS & HOOKS

FOLDING BRACKETS

- Folding bracket with manual lock lever
- Slide the lock lever to lock / unlock in open position.
- Bracket with hinge function in one unit.
- Supplied with white painted screws.



PAT.P



Item No.	L	H	B	(E)	C ₁	C ₂	C ₃	C ₄	C ₅	C ₆	d	t
BTO-300W	240 (9-7/16")	300 (11-13/16")	20 (25/32")	(71)	225	140	269	95	63	-	4	2
BTO-380W	320 (12-19/32")	380 (14-61/64")	23 (29/32")	(90)	300	150	345	145	110	75	5	

Item No.	Load Capacity (kg)	Weight (g)	Box (pcs)	Carton (pcs)	NO.	Part Name	Material	Finish/Color
BTO-300W	11.4 (25 lbs)	450	10	40	①	Body	304 Stainless Steel	White
BTO-380W	13.4 (29.5 lbs)	720	10	40	②	Knob	Brass	Plain
						Cap	Elastomer	Black

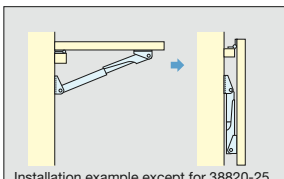
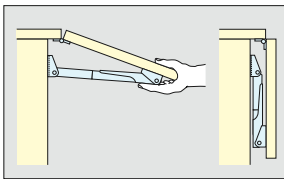
FOLDING BRACKET

LOAD CAPACITY
35~80 kg
77~176 lbs



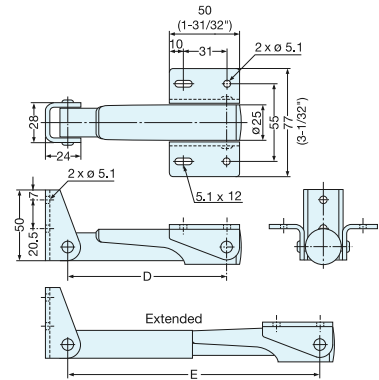
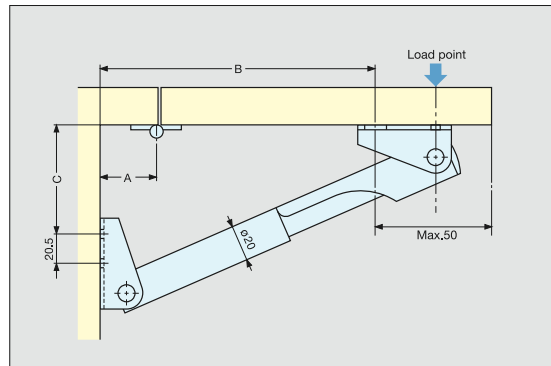
388

- Automatically locks when flap is in open position
- Has release lever for un-locking
- For panel thickness 15~35mm (19/32"~1-3/8")
- Required Quantity:
Width up to 600mm (23-5/8"...1pc
Width 600~1300mm (23-5/8"~51-3/16"...2pcs



Installation example except for 38820-25

Installation



Material	Finish
Aluminum	Anodized

Item No.	A	B	C	D	E	Load Capacity (kg)	Weight (g)	Box (pcs)	Carton (pcs)
38820-25	25 ~ 30	161	14	114	180	35 (77 lbs)	149	5	50
38830-25	25 ~ 39	252	45	168	275.9	55 (121 lbs)	187		30
38845-25	25 ~ 50	402	87	258.5	430.8	60 (132 lbs)	266		
38860-25	25 ~ 40	549	137	368.5	585.8	80 (176 lbs)	342		