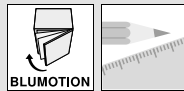
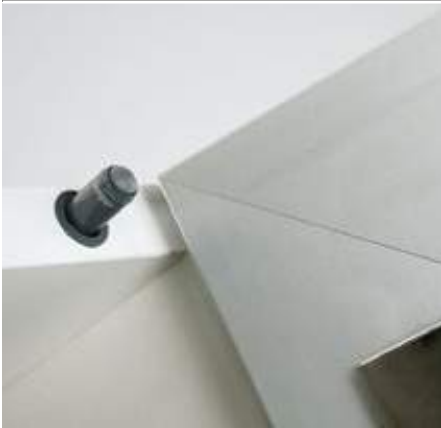


- ▶ BLUMOTION for doors
- ▶▶ BLUMOTION 970A – for drilling, hinge side




BLUMOTION 970A



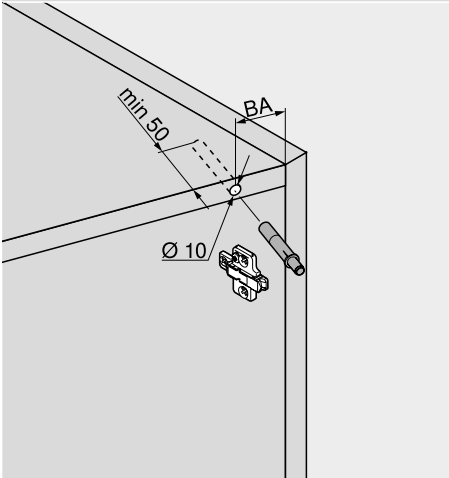
- BLUMOTION – perfect movement, quiet and easy
- For use with Blum hinges
- For drilling or in combination with adapter plates

Order information

BLUMOTION 970A			
	Material	Colour	Part no.
	Nylon	RAL 7037 dust grey	970A1002

Planning

Drilling distance BA



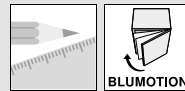
N° XX	Angled application
XX	Drilling distance BA (mm)

Assembly position and number required

BLUMOTION 970A is for location on the hinge side, and guarantees perfect motion even for angled hinges. The hole for BLUMOTION 970A needs to be drilled into the cabinet top. The correct position is set using the drilling distance (BA). If the BLUMOTION effect is insufficient, we recommend installing an additional BLUMOTION 970A in the bottom.

Page instructions

Overview – BLUMOTION for doors	539	Assembly	MINIPRESS P	708	
Accessories – straight adapter plates	550	Drilling template for BLUMOTION/TIP-ON	744	MINIPRESS M	712
Accessories – cruciform adapter plates	550	Template	742		
Drilling distance BA	547	Drilling template for mounting plates	743		
Assembly, removal and adjustment	552	PRO-CENTER	692		
		MINIPRESS PRO	696		



BLUMOTION 970A

Planning

All hinge applications except for angled applications

Mounting plate spacing (mm)	Drilling distance BA (mm)	Drilling distance BA (mm)	Drilling distance BA (mm) ¹	Drilling distance BA (mm)	Drilling distance BA (mm)
0	32	41	50		34
3	35	44	53	51	34
6	38	47			
9	41	50			

¹ When dealing with narrow top rails or larger front gaps, we recommend using the adapter plate as needed

Angled applications

Angle	Drilling distance BA (mm) ¹	Drilling distance BA (mm)	Drilling distance BA (mm)	Drilling distance BA (mm)	Drilling distance BA (mm) ¹
-------	--	---------------------------	---------------------------	---------------------------	--

>> Angled application – glass door

CRISTALLO angled application

15°	N° 105	33		N° 102	33		
10°	N° 104	33		N° 101	33		
5°	N° 103	33		N° 100	33		
-5°	N° 106	37		N° 107	37		

Angled hinge for glass doors

50°	N° 76	48		N° 68	45		
45°	N° 75	48		N° 67	45		
40°	N° 74	48					
25°	N° 73	48		N° 66	37		
20°	N° 72	54		N° 65	37		
15°	N° 71	54		N° 64	45		
5°	N° 70	48		N° 63	33		
-5°	N° 69	48		N° 62	37		

>> Angled application – frame door

Angled hinge with mini boss

50°	N° 99	48	N° 91	48	N° 83	48	
45°	N° 98	48	N° 90	48	N° 82	45	
40°	N° 97	48	N° 89	48			
25°	N° 96	48	N° 88	45	N° 81	37	
20°	N° 95	48	N° 87	48	N° 80	37	
15°	N° 94	48	N° 86	48	N° 79	45	
5°	N° 93	48	N° 85	48	N° 78	33	
-5°	N° 92	48	N° 84	48	N° 77	37	

¹ When dealing with narrow top rails or larger front gaps, we recommend using the adapter plate as needed