

Hinge systems



- ▶ **BLUMOTION for doors**
- ▶▶ **Accessories**

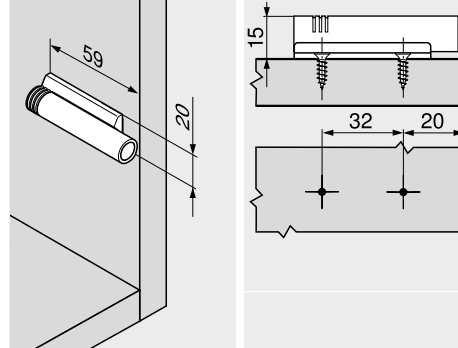
Inline adapter plate

20/32



- Fixing with chipboard screws \varnothing 3.5 or \varnothing 4 mm
- BLUMOTION must be ordered separately

Planning



Order information

Colour	Material	Part no.
RAL 7036 platinum grey	Nylon	970.1201
Nickel plated	Zinc	970.5201

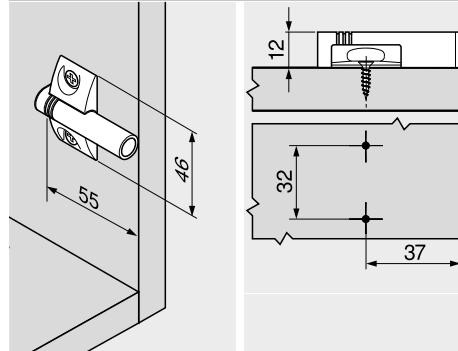
Cruciform adapter plate

37/32



- Fixing with chipboard screws \varnothing 3.5 or \varnothing 4 mm
- BLUMOTION must be ordered separately

Planning



Order information

Colour	Material	Part no.
RAL 7036 platinum grey	Nylon	970.1501
Nickel plated	Zinc	970.5501

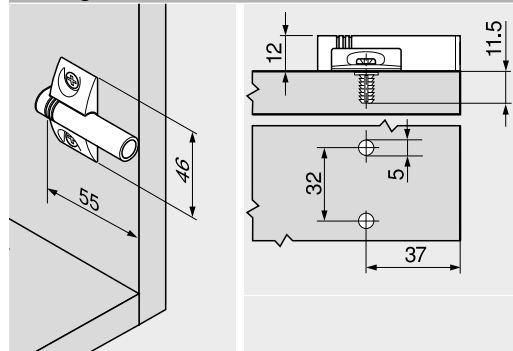
Cruciform adapter plate

37/32



- Fixing with pre-mounted special screws with split dowels (EXPANDO)
- BLUMOTION must be ordered separately

Planning



Order information

Colour	Material	Part no.
RAL 7036 platinum grey	Nylon	970.15E1
Nickel plated	Zinc	970.55E1

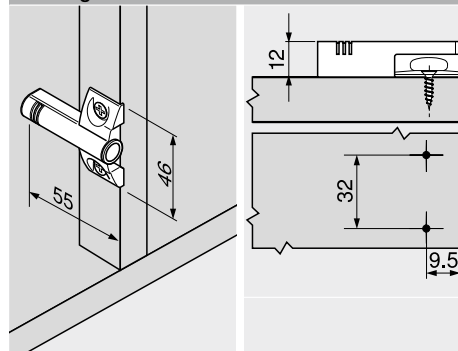
Cruciform adapter plate

9.5/32



- Fixing with chipboard screws \varnothing 3.5 or \varnothing 4 mm
- BLUMOTION must be ordered separately

Planning



Order information

Colour	Material	Part no.
RAL 7036 platinum grey	Nylon	970.1701
Nickel plated	Zinc	970.5701