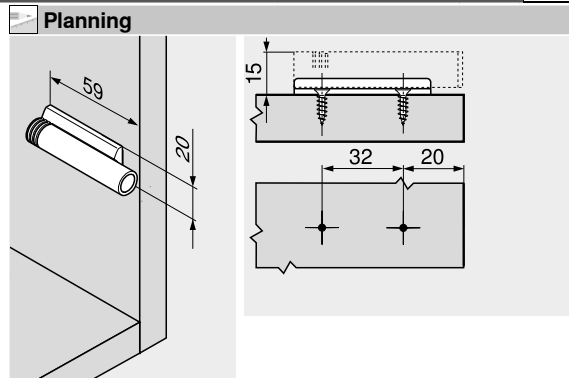


Inline adapter plate

20/32



- Fixing with chipboard screws $\varnothing 3.5$ or $\varnothing 4$ mm
- BLUMOTION must be ordered separately



Order information

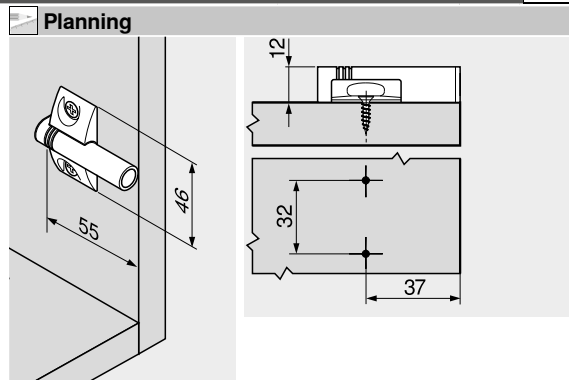
Material	Colour	Part no.
Nylon	RAL 7036 platinum grey	970.1201
Zinc	Nickel plated	970.5201

Cruciform adapter plate

37/32



- Fixing with chipboard screws $\varnothing 3.5$ or $\varnothing 4$ mm
- BLUMOTION must be ordered separately

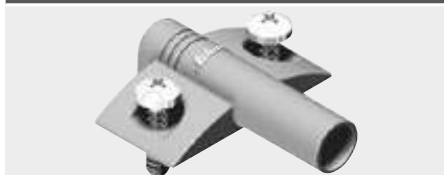


Order information

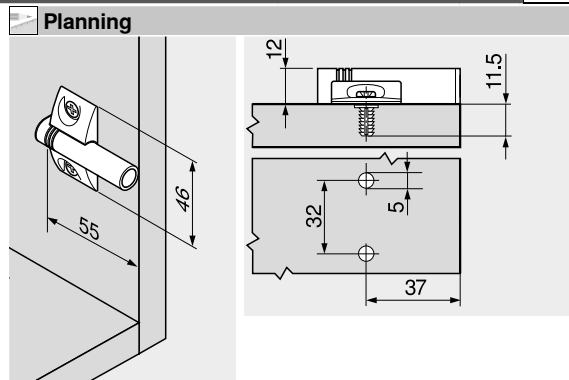
Material	Colour	Part no.
Nylon	RAL 7036 platinum grey	970.1501
Zinc	Nickel plated	970.5501

Cruciform adapter plate

37/32



- Fixing with pre-mounted special screws with split dowels (EXPANDO)
- BLUMOTION must be ordered separately



Order information

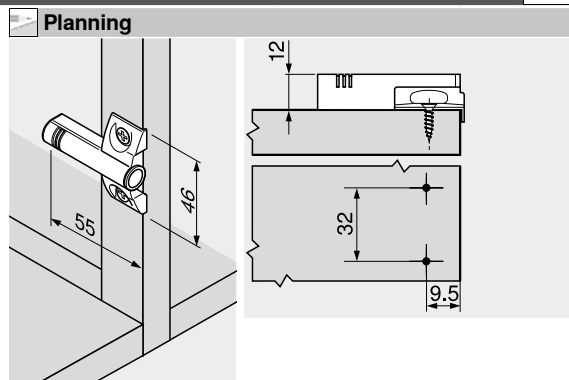
Material	Colour	Part no.
Nylon	RAL 7036 platinum grey	970.15E1
Zinc	Nickel plated	970.55E1

Cruciform adapter plate

9.5/32



- Fixing with chipboard screws $\varnothing 3.5$ or $\varnothing 4$ mm
- BLUMOTION must be ordered separately



Order information

Material	Colour	Part no.
Nylon	RAL 7036 platinum grey	970.1701
Zinc	Nickel plated	970.5701

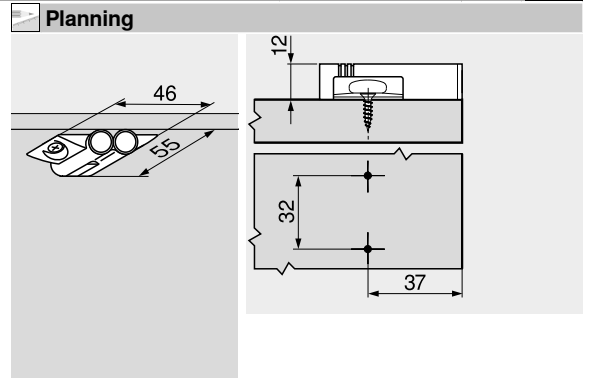


Cruciform double adapter plate

37/32



- For cabinets with double doors
- Fixing with chipboard screws
Ø 3.5 or Ø 4 mm
- BLUMOTION must be ordered separately



Order information

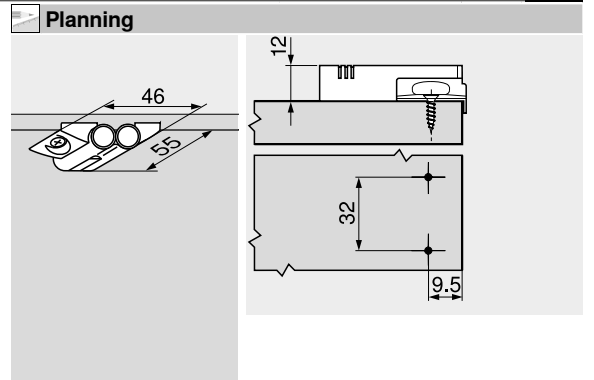
Material	Colour	Part no.
Nylon	RAL 7036 platinum grey	970.2501

Cruciform double adapter plate

9.5/32



- For cabinets with double doors
- Fixing with chipboard screws
Ø 3.5 or Ø 4 mm
- BLUMOTION must be ordered separately



Order information

Material	Colour	Part no.
Zinc	Nickel plated	970.6701