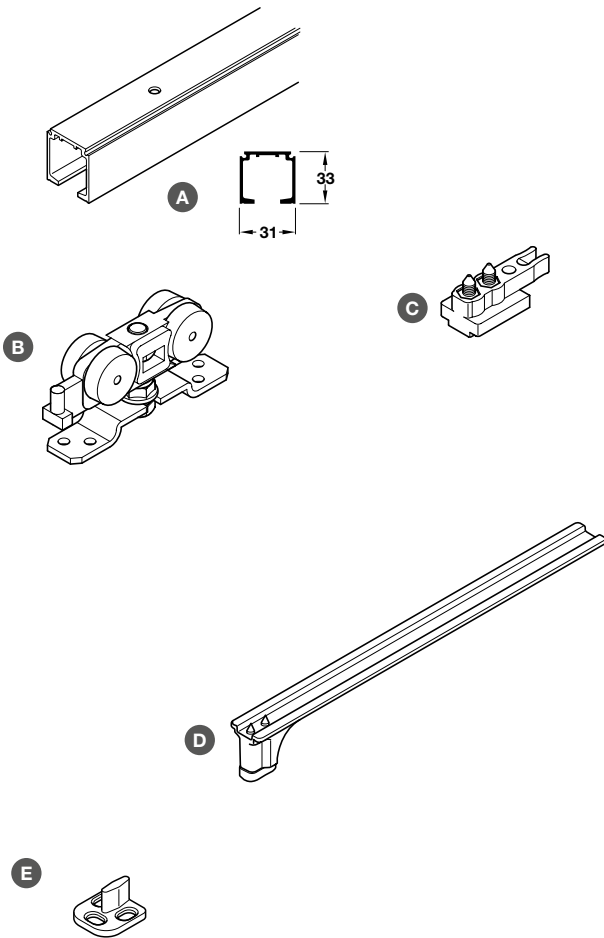


## Slido D-Line11 40/80-P fitting set, complete with track, for one door

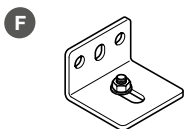


- > Fitting set includes:
- A Top track, pre-drilled, 2.0 m length, silver coloured anodised aluminium
- B Running gear, 4 rollers, support flange for screw fixing, galvanized steel
- C Track buffer, 26 x 56 x 19 mm, with retaining spring and rubber buffer
- D Soft close track stopper, galvanized steel
- E Bottom guide, 24 x 60 x 30 mm, white or grey plastic
- > Order qty: 1 set



Fitting set for 1 door	without soft close	with soft close
A Top track	1x 2.0 m	1x 2.0 m
B Running gear	2 pcs	1 pc
C Track buffer	1 pc	1 pc
D Soft close track stopper	-	1 pc
E Bottom guide	1 pc	1 pc
Slido 40-P	940.42.500	940.42.501
Slido 80-P	940.82.540	940.82.541

## Slido D-Line side fixing mounting bracket

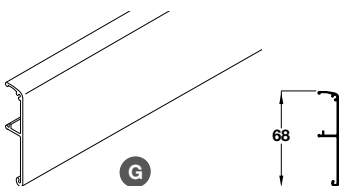


- > Mounting bracket for side fixing top track
- > With screw and nut, galvanized steel
- > Order qty: 1 pc



Item	Cat. No.
F Mounting bracket	940.42.061

## Slido D-Line clip panel for top track, 68 mm height



- > Clip panel for top track
- > Silver colour anodised aluminium
- > Order qty: 1 pc



Length	2.0 m
G Clip panel	940.43.120