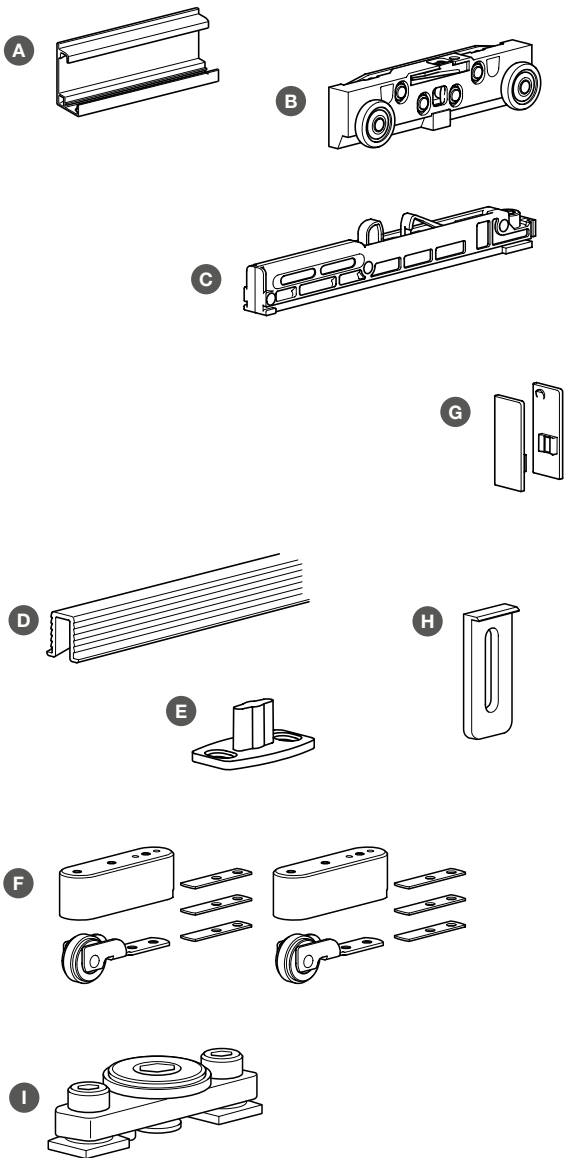


Slido D-Line43 80M complete fitting set



- > Fitting sets for one door:
- A Rail, 1100 or 1800 mm length, graphite black anodised
- B Top running gear, wall mounted
- C Soft close, plastic housing
- D Guide channel, grey plastic
- E Guide
- F Bottom roller, grey plastic housing
- G End caps, 1 pair black, 1 pair silver coloured
- H Distance plates, 3x 1 mm, 3x 2 mm and 3x 3 mm
- I Distance roller
- > Order qty: 1 set

940.59.002 REPLACED BY **940.59.008**
 940.59.003 REPLACED BY **940.59.009**

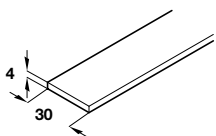


| Fitting sets for 1 door | 1100 mm | 1800 mm |
|-------------------------|------------|------------|
| A Rail | 1 pc | 1 pc |
| B Top running gear | 1 pc | 1 pc |
| C Soft close | 2 pcs | 2 pcs |
| D Guide channel | 1 pc | 1 pc |
| E Guide | 1 pc | 1 pc |
| F Bottom roller | 1 set | 1 set |
| G End caps | 1 set | 1 set |
| H Distance plates | 1 set | 1 set |
| I Distance roller | 2 pcs | 2 pcs |
| Cat. No. | 940.59.008 | 940.59.009 |



The bottom rollers need to run on a solid floor, if carpet is present then a running track strip must be used, shown below

Running track for soft floors



- > Silver coloured anodised aluminium
- > Order qty: 1 pc



| Length | Cat. No. |
|---------|------------|
| 2200 mm | 940.59.802 |
| 3600 mm | 940.59.803 |



Most of the products you will find in this Directory are available within 24 hours. However, to be able to offer the breadth of range in our collection, a small number of products have a longer lead time that is typically around 14 days. Please call 0800 171 2909 for an accurate delivery date when you see this symbol.

PAGE AMENDED
23.04.21/3