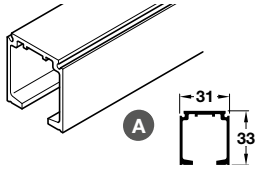


Slido D-Line11 top track

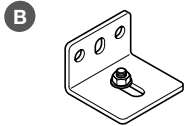


- > Top track, pre-drilled for screw fixing
- > Bright aluminium
- > Order qty: 1 pc



Item	2.0 m	3.0 m
A Top track	940.43.921	940.43.931

Slido D-Line11 side fixing mounting bracket

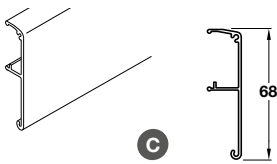


- > Mounting bracket for side fixing top track
- > With screw and nut, galvanized steel
- > Order qty: 1 pc



Item	Cat. No.
B Mounting bracket	940.42.061

Slido D-Line11 clip panel for top track, 68 mm height

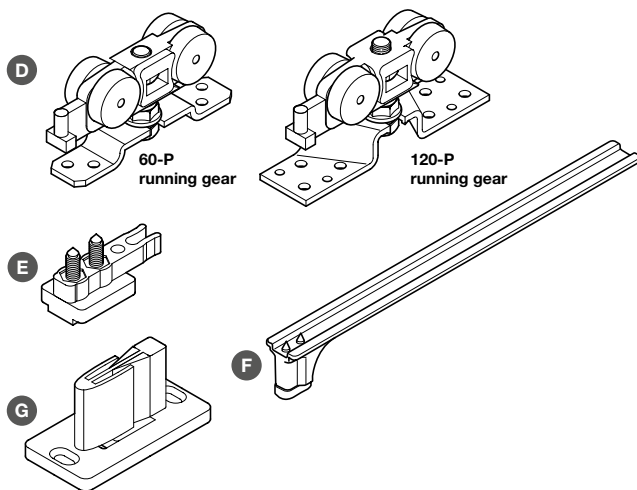


- > Clip panel for top track
- > Silver coloured anodised aluminium
- > Order qty: 1 pc



Length	2.0 m	3.0 m
C Clip panel	940.43.120	940.43.130

Slido D-Line11 50/80/120-P sliding door fitting set, for 1 door



- > Fitting set, for 1 door, consists of:
- D Running gear, 4 rollers, suspension screw with nut, galvanized steel
- E Track buffer, with retaining spring and rubber buffer, grey plastic
- F Release device with stopper for soft and self closing mechanism
- G Bottom guide, 24 x 60 x 30 mm, black plastic
- > Order qty: 1 set

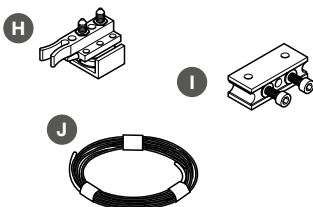


Soft close	Without	With 1
D Running gear	2 pcs	2 pcs
E Track buffer	2 pcs	1 pc
F Release device	-	1 pc
G Bottom guide	1 pc	1 pc
50P	940.42.064	940.42.065
80P	940.83.005	940.83.006
120 P	941.02.036	941.02.037
Additional items	Order qty.	Cat. No.
E Additional track buffer	1 pc	940.42.041



For sets without or with one-sided soft-close:
Soft-close or shock absorbers can be retrofitted.

Slido D-Line11 synchro additional set



- > For 2-leaf sliding doors
- > For door width 600-1250 mm
- > For symmetrical opening of 2 door leaves
- > Set consists of:
- H Track buffer, with deflection roller
- I Cable fixing block
- J Cable, with plastic sheathing
- > Order qty: 1 set



> Note: Can only be used in combination with standard system consisting of two sets for 1-leaf sliding doors (Classic 60-P/120-P) and running track
> Not suitable for versions with soft close

Item	For 2 doors
H Track buffer	2 pcs
I Cable fixing block	2 pcs
J Cable	10 m
Cat. No.	940.44.002