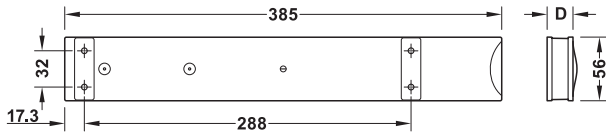


Häfele Dresscode spacer bar for pull out frame



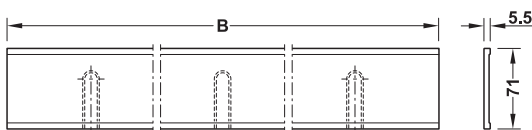
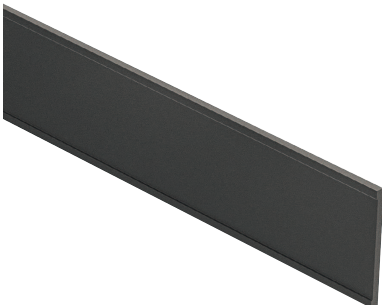
- > For compensating door offset on the left and right hand side with hinged doors and one-sided with sliding doors
- > Reversible
- > For plug fitting without tools
- > Plastic
- > Set includes:
 - 2x Cover
 - Spacer bar with Häfele Dresscode connector
- > Order qty: 1 pc

Area of application	Dim. D	Umber grey	Traffic white
For hinged doors	21 mm	805.22.595	805.22.795
For sliding doors	42 mm	805.22.596	805.22.796

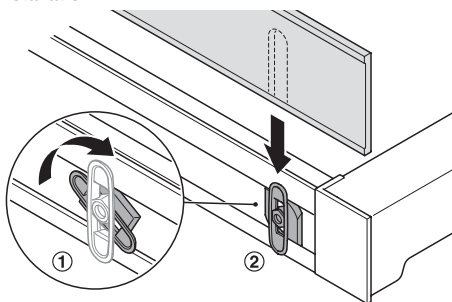
Häfele Dresscode designer panel for pull out frame



- > For plug fitting onto pull out frame
- > Side panel thickness: 16, 19 and 25 mm
- > For plug fitting without tools
- > Powder coated aluminium
- > Set includes:
 - 1x designer panel
 - 2x clamp connectors (3x clamp connectors for cabinet width 800 mm)
- > Order qty: 1 pc



Installation



Width	For cabinet width	Umber grey RAL 7022	Traffic white RAL 9016
412 mm	500 mm	806.35.572	806.35.772
512 mm	600 mm	806.35.573	806.35.773
712 mm	800 mm	806.35.574	806.35.774
812 mm	900 mm	806.35.575	806.35.775
912 mm	1000 mm	806.35.576	806.35.776



Most of the products you will find in this catalogue are available within 24 hours. However, to be able to offer the breadth of range in our collection, a small number of products have a longer lead time that is typically around 14 days. Please call 0800 171 2909 for an accurate delivery date when you see this symbol.

PAGE AMENDED
12.11.20/1