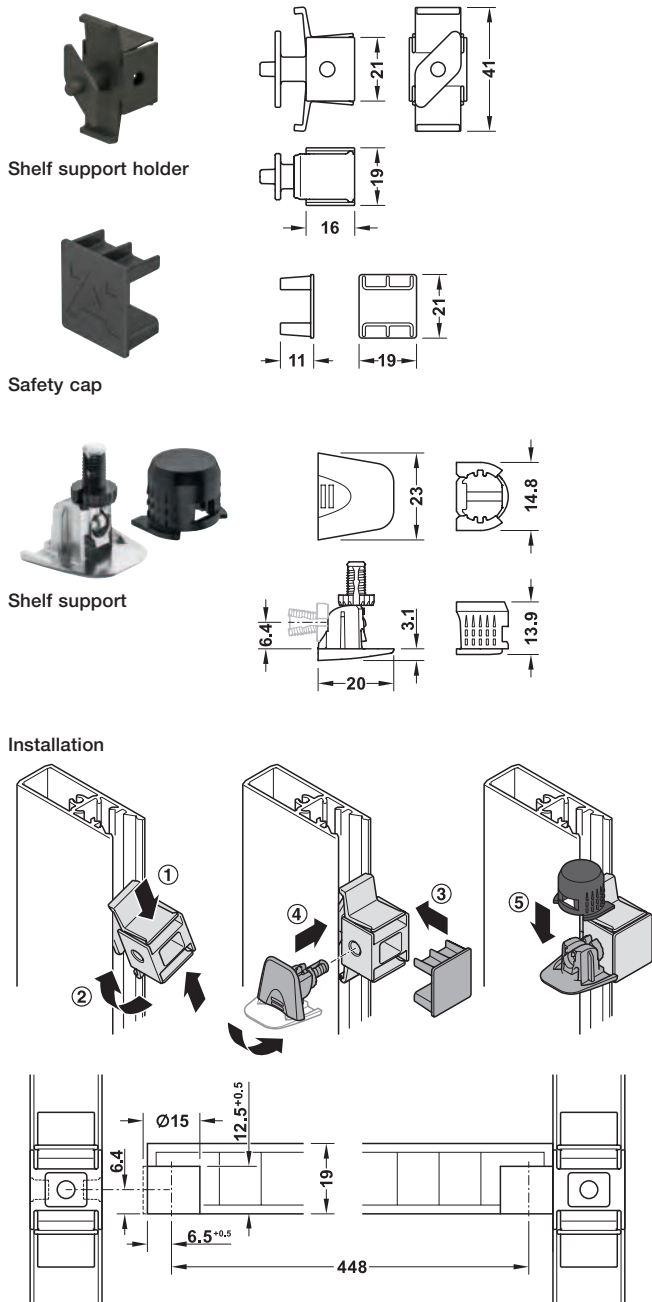



Häfele Dresscode shelf connector set for aluminium frame system



- > Accommodating shelves in aluminium frame systems
- > Can be freely positioned in height at intervals of 32 mm
- > Easy installation and disassembly without tools
- > The system can be adapted to customer requirements at any time
- > Area of application: For accommodating shelves in aluminium frame systems
- > Installation: For clipping in
- > Galvanized zinc alloy shelf support, black plastic shelf support holder and boss insert
- > Set includes:
 - 4x shelf support holders with safety cap
 - 4x shelf supports with boss inserts
- > Order qty: 1 set



 Shelf connector requires 3 height units

Finish	Cat. No.
Umber grey	806.33.581 
Traffic white	806.33.781 



Most of the products you will find in this catalogue are available within 24 hours. However, to be able to offer the breadth of range in our collection, a small number of products have a longer lead time that is typically around 14 days. Please call 0800 171 2909 for an accurate delivery date when you see this symbol.