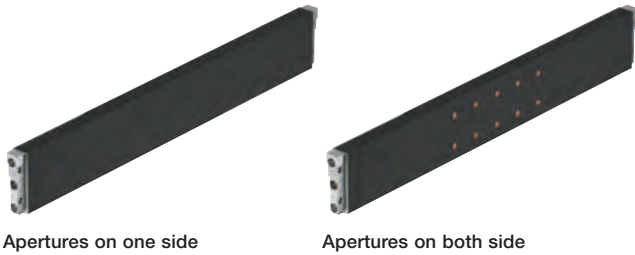


Häfele Dresscode strut for aluminium frame system

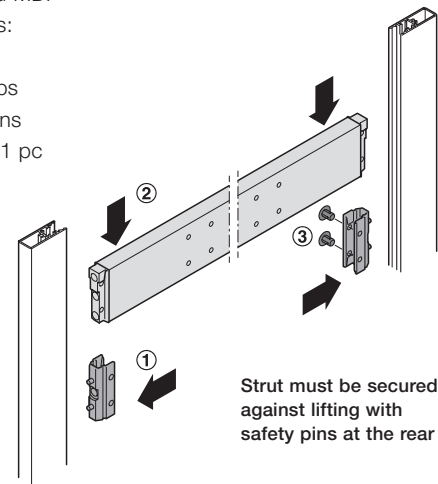
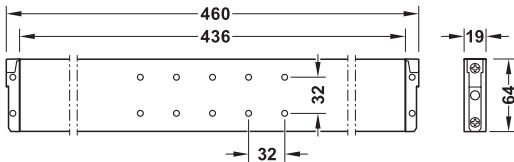


- > Can be freely positioned at intervals of 32 mm
- > Easy installation and disassembly without tools
- > The system can be adapted to customer requirements at any time
- > For individual configuration with Häfele Dresscode equipment elements
- > For supporting Häfele Dresscode pull out frames, pull out trouser rack, multi-functional pull out, wardrobe lift and wardrobe rail
- > Apertures on one side for outer frames, apertures on both sides for inner frames
- > Plug fitting to aluminium frame without tools
- > Foil-covered MDF
- > Set includes:
 - 1x strut
 - 2x fixing clips
 - 2x safety pins
- > Order qty: 1 pc



Apertures on one side

Apertures on both side



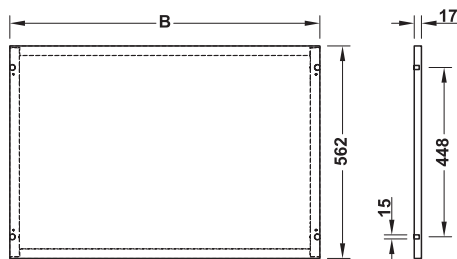
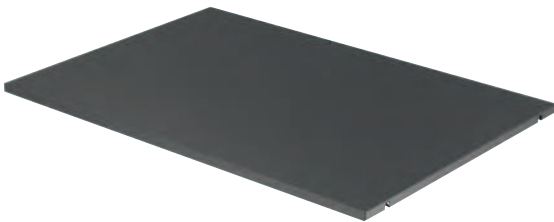
Strut must be secured against lifting with safety pins at the rear

Version	Umber grey	Traffic white
Apertures on one sides	806.33.571	806.33.771
Apertures on both sides	806.33.570	806.33.770

Häfele Dresscode steel shelf for aluminium frame system



- > Noise-reducing core, prevents metallic sound
- > Easy-to-clean surface
- > Powder coated steel
- > Order qty: 1 pc



Shelf connector shown on page 2.32

Width B	Umber grey RAL 7022	Traffic white RAL 9016
420 mm	806.43.552	806.43.752
520 mm	806.43.553	806.43.753
720 mm	806.43.554	806.43.754
820 mm	806.43.555	806.43.755
920 mm	806.43.556	806.43.756