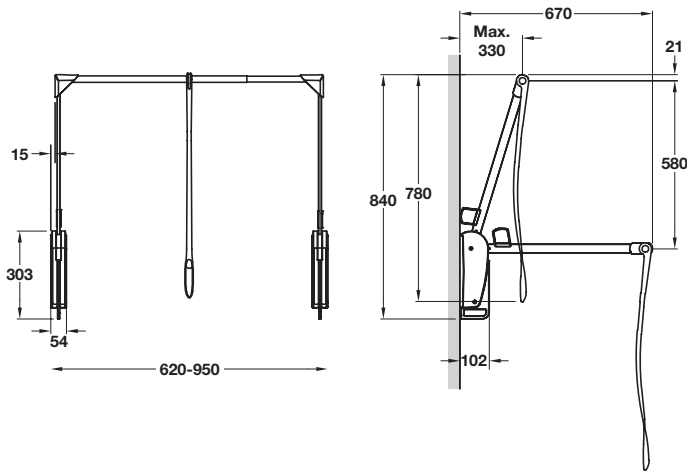


Pull down wardrobe rail



- > Operated by pull rod
- > Installed height: 880 mm
- > Adjustable 620-950 mm for different wardrobe widths
- > Minimum load capacity 1.6 kg
- > Maximum load capacity 10 kg
- > Screw fixing to rear panel
- > Please note: All fixings must be used
- > Chrome-plated steel arm and clothes rail, black plastic housing, connecting parts and pull rod
- > Order qty: 1 pc



Finish arm/housing/pull rod	Cat. No.
Chrome-plated/black/black	805.29.200

SLIDING DOOR FITTINGS FOR WARDROBES

Our large cabinet doors and wardrobes systems provide larger overlay and inset doors to suit standalone and walk-in wardrobe applications.

Shown in The Complete Häfele Architectural Hardware.
View online at hafele.co.uk.

