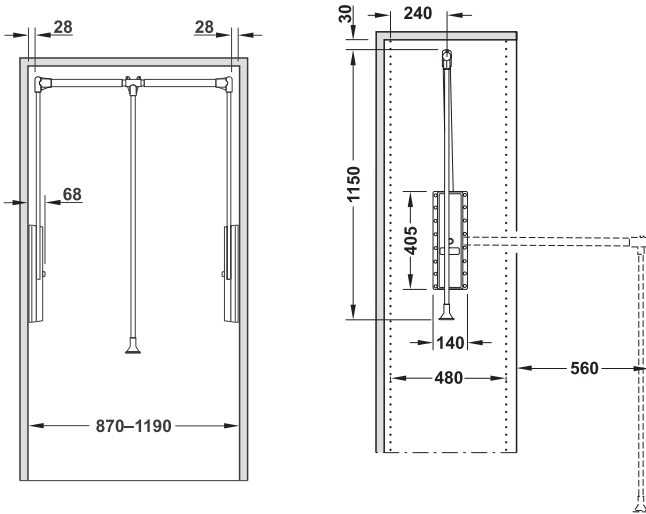


Pull down wardrobe rail



- > Operated by pull rod
- > Ø 28 mm hanging rail - adjustable, for different wardrobe widths
- > Minimum load required 5 kg, maximum load capacity 15 kg
- > Screw fixing to side panel in 32 mm series drilled holes - fixing materials included
- > Chrome-plated steel, black plastic fittings
- > Order qty: 1 pc



Please note: All fixings must be used

For internal wardrobe width	Cat. No.
870-1190 mm	805.24.230

Spare T shape part



- > Black plastic
- > Order qty: 1 pc

Spare T shape part	Cat. No.
	805.24.910