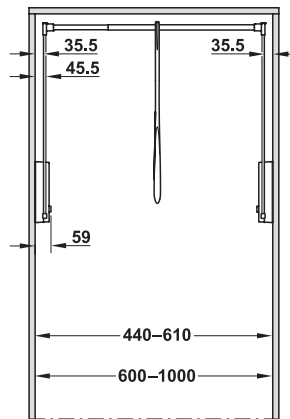


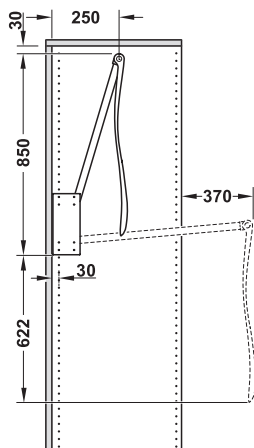
Häfele Dresscode wardrobe lift



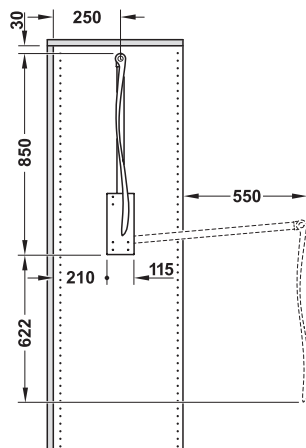
- > Movement is dampened upwards
- > Easy installation and disassembly without tools
- > Wardrobe lift is held securely in position when open, also without weight
- > Integrated soft closing mechanism for upward movement
- > Load bearing capacity: ≥ 10 kg
- > Concealed fixing
- > For plug fitting into 5 mm drill holes without tools
- > Powder coated steel arm and rail, plastic pull rod
- > Set includes:
 - 2x adapter plates with Häfele Dresscode connector
 - 2x arms
 - 1x wardrobe rail
 - 1x pull rod
- > Order qty: 1 set



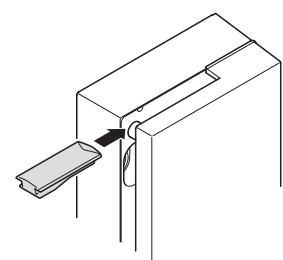
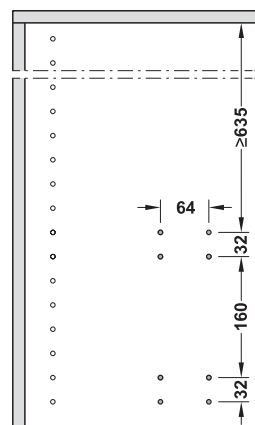
Installation in rear row of series drilled holes



Installation in centre of cabinet side panel



Drilling pattern



Only use tilting device if the wardrobe lift is fitted in the rear row of series drilled holes

For internal cabinet width	Umber grey RAL 7022	Traffic white RAL 9016
440-610 mm	805.22.560	805.22.760
600-1000 mm	805.22.561	805.22.761



Most of the products you will find in this catalogue are available within 24 hours. However, to be able to offer the breadth of range in our collection, a small number of products have a longer lead time that is typically around 14 days. Please call 0800 171 2909 for an accurate delivery date when you see this symbol.