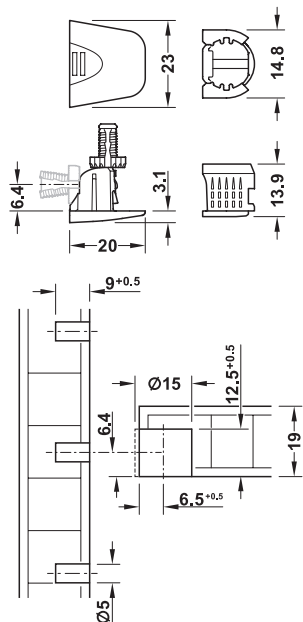


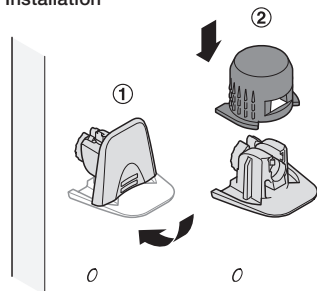
Häfele Dresscode shelf support set



- > Can be freely positioned at intervals of 32 mm
- > Easy installation and disassembly without tools
- > The system can be adapted to customer requirements at any time
- > Galvanised zinc alloy supports, black plastic boss insert
- > Set includes:
 - 4x supports
 - 4x boss inserts
- > Order qty: 1 set



Installation



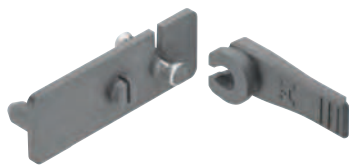
- > Insert support elements ① into 5 mm drill hole and fold down
- > Plug-fit boss insert ② onto support element
- > Place shelf onto support elements

	Cat. No.
Shelf support set	803.17.980

Häfele Dresscode replacement connector set



Wardrobe lift set



Runner set

- > For connecting Häfele Dresscode equipment elements with wooden cabinet or aluminium frame system
- > Wardrobe lift set includes:
 - 4x connectors
 - 4x levers
- > Runners set includes:
 - 4x runner adapters
 - 4x levers
- > Order qty: 1 set

Connector set	Cat. No.
Wardrobe lift set	803.17.997
Runners set	803.17.996



Most of the products you will find in this catalogue are available within 24 hours. However, to be able to offer the breadth of range in our collection, a small number of products have a longer lead time that is typically around 14 days. Please call 0800 171 2909 for an accurate delivery date when you see this symbol.