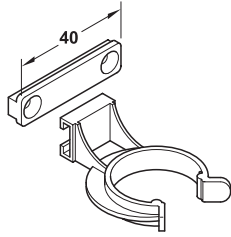


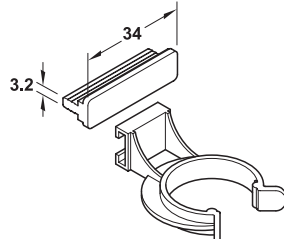
Häfele AXILO™ 78 plinth panel clips



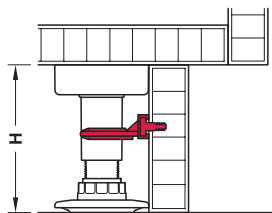
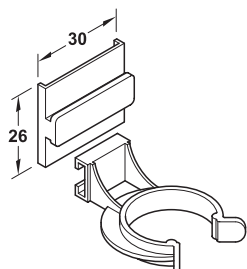
For screw fixing



For press fitting



For slide on fitting



- > For use from installation height 80 mm
- > For screw fixing, press fitting or slide fitting on plinth panels
- > Plastic
- > Order qty: Multiples of 100 pcs

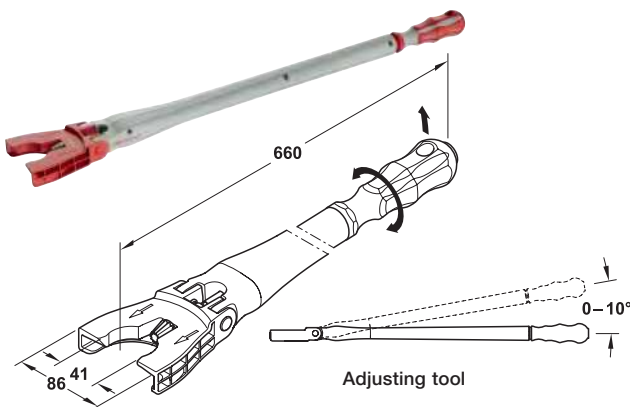


*For slide on fitting version we advise a trial installation as may not suit all types of plinth panels



Installation	Cat. No.
Screw fixing	637.38.054
Press fitting	637.38.063
Slide on fitting*	637.38.354

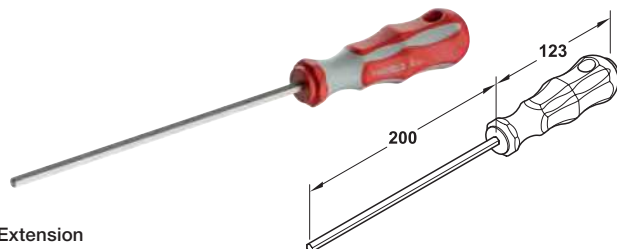
Häfele AXILO™ 78 adjusting tool



Adjusting tool



Adjusting tool handle end and extension with 1/4" chuck



Extension

- > For ergonomic and time saving height adjustment of AXILO™ plinth adjusting fitting system in the entire plinth area, also corner cabinets, for example
- > Height adjustment by rotating by hand or with electric tool
- > Adjustment angle height 0-10°
- > Chuck 1/4" bit supplied
- > Grey and red plastic with steel mechanism
- > Order qty: 1 pc

	Cat. No.
Adjusting tool	637.76.360
Extension	637.76.361

TCH TECHNOLOGY 2018, © Häfele U.K. Ltd 2018. Dimensional data not binding. We reserve the right to alter specifications without notice.

PAGE AMENDED
30.04.19/1

SALES DEPARTMENT 0800 171 2909

TECHNICAL SUPPORT 0800 171 2908