

1

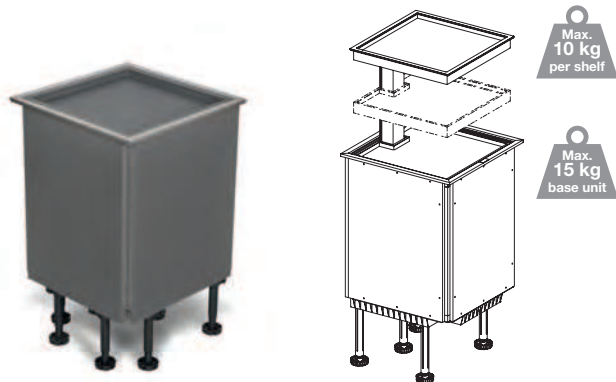
NINKA QANTO CORNER STORAGE SOLUTION

Qanto is a complete pre-assembled cabinet with two or three illuminated trays that rise at the touch of a button. Ideal for L or U shaped kitchen layouts.

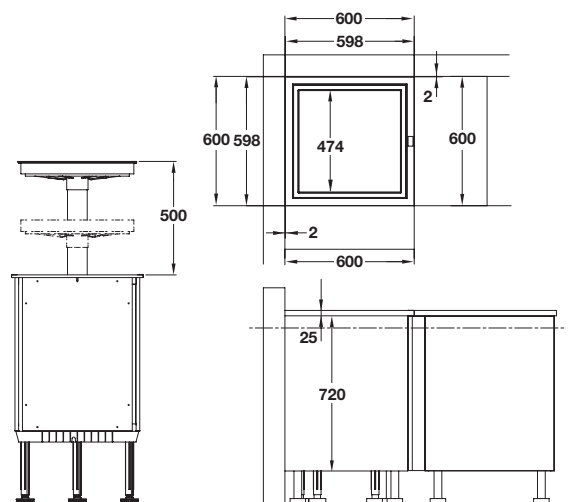
Quanto offers efficient corner storage and the ergonomic benefit of bringing heavy items to worktop level using a robust lifting strut.



Ninka Qanto unit for corner storage, vertically rising



- > Complete pre-assembled unit
- > Two or three tray version available
- > Depth x width: 598 x 598 mm
- > Minimum installation space: 600 x 600 mm
- > Height adjustable using supplied legs for worktops between 800-1010 mm
- > Can be positioned such that the lifting strut is on the left or the right
- > A safety cut-out switch and special tray fitting preventing trapped fingers
- > Fitted with LED lighting that automatically switches on and off as the trays rise and lower
- > Height adjustable middle tray with ± 50 mm height adjustment
- > Lead with moulded 13A UK plug included
- > Dark grey
- > Order qty: 1 pc



	Cat. No
2 trays	542.72.421
3 trays	542.72.431

TOH DESIGN 2020. © Häfele U.K. Ltd 2020. Dimensional data not binding. We reserve the right to alter specifications without notice.