

Cornerstone Swing pull out shelving unit



White base with chrome edge, unhandled

- > Suitable for 800, 900 or 1000 corner base cabinets
- > Min. built-in depth: min. 490 mm
- > Min. installation height: 610 mm
- > Total weight capacity max. 36 kg
- > Weight capacity per basket max. 18 kg
- > Single fixing point on cabinet centre post
- > Shelves pull out independently
- > Set includes:
 - 2x Shelves, laminated wooden shelves with a lava grey or white base and lava grey wire or chrome edge
 - 1x Pull-out and pivoting mechanism
 - Fitting instructions
- > Order qty: 1 set



Prema lava grey solid base wire baskets

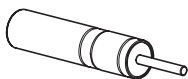


White solid base and chrome edge baskets

VAUTH-SAGEL 10 YEAR WARRANTY	Side Mounting	Unhandled	800	900	1000	Fixings included
---	---------------	-----------	-----	-----	------	------------------

For cabinet width	For door width	Unhandled
Prema lava grey solid base and wire shelves		
800 mm	400 mm	542.05.870
900 mm	450 mm	542.05.871
1000 mm	500 mm	542.05.872
1000 mm	600 mm	542.05.873
White solid base and chrome edge shelves		
800 mm	400 mm	542.05.290
900 mm	450 mm	542.05.291
1000 mm	500 mm	542.05.292
1000 mm	600 mm	542.05.293

Soft close mechanism for Cornerstone Swing

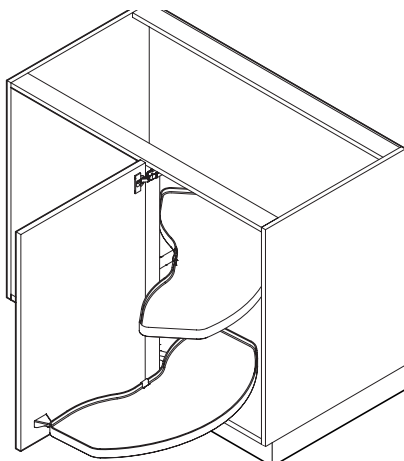


- > Soft close damper for use with Cornerstone Swing pull out unit
- > Order qty: 1 pc

VAUTH-SAGEL 10 YEAR WARRANTY	Soft Closing
---	--------------

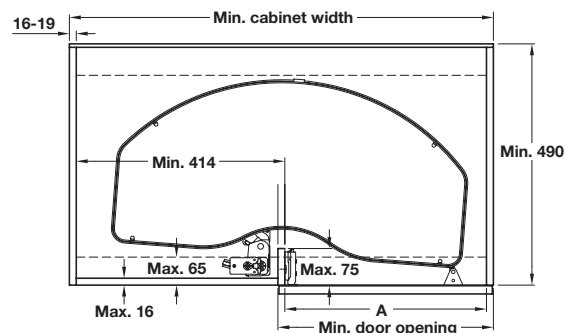
Soft close mechanism	Cat. No. 542.05.999
----------------------	------------------------

Installation



Max. 18 kg per shelf

Cabinet dimensions



Min. cabinet width	Min. door width	Dim. A
800 mm	400 mm	362 - 368 mm
900 mm	450 mm	412 - 418 mm
1000 mm	500 mm	462 - 468 mm
1000 mm	600 mm	562 - 568 mm

TCH DESIGN 2020. © Häfele U.K. Ltd 2020. Dimensional data not binding. We reserve the right to alter specifications without notice.

PAGE AMENDED
07.02.20/1

SALES DEPARTMENT 0800 171 2909

TECHNICAL SUPPORT 0800 171 2908