

# MATRIX BOX P 35/50 KG SINGLE DRAWER PACKED SETS

Single standard drawer, 92 mm high.

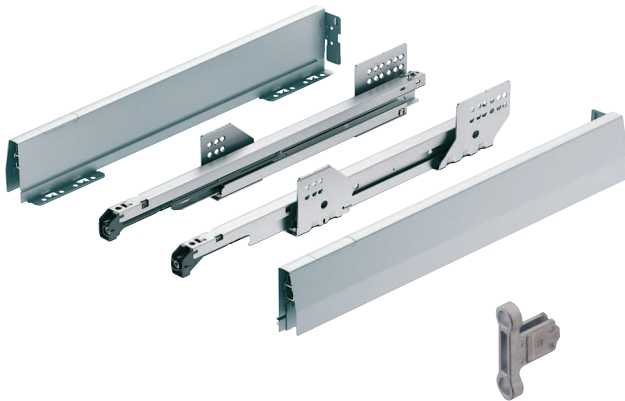


- > Each packed set includes:
  - A 1 pair drawer sides
  - B 1 pair runners
  - C 2 front fixing brackets, screw fixing
- > Order fixing screws separately
- > Order qty: 1 set

**+** Order push-to-open fitting separately, if required; Cat. No. 553.50.995, shown on page 10.29B. Not suitable for 270 mm 35 kg drawer sides or 270/350/400 mm 50 kg drawer sides.

10

## Matrix Box P standard drawer packed set

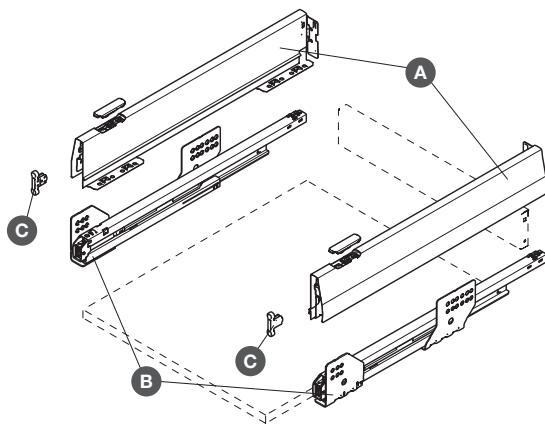


- > Suits 16 or 18 mm drawer base and rear panel
- > Powder coated drawer sides

**smuso**



Length	35 kg	50 kg
<b>Grey</b> (suits 16 mm drawer base and rear panel)		
270 mm	513.04.550	513.04.560
350 mm	513.04.552	513.04.562
400 mm	513.04.553	513.04.563
450 mm	513.04.554	513.04.564
500 mm	513.04.555	513.04.565
<b>White</b> (suits 16 mm drawer base and rear panel)		
270 mm	513.04.750	513.04.760
350 mm	513.04.752	513.04.762
400 mm	513.04.753	513.04.763
450 mm	513.04.754	513.04.764
500 mm	513.04.755	513.04.765
<b>Anthracite</b> (suits 18 mm drawer base and rear panel)		
270 mm	513.04.350	513.04.360
350 mm	513.04.352	513.04.362
400 mm	513.04.353	513.04.363
450 mm	513.04.354	513.04.364
500 mm	513.04.355	513.04.365
<b>Silver</b> (suits 18 mm drawer base and rear panel)		
270 mm	513.04.950	513.04.960
350 mm	513.04.952	513.04.962
400 mm	513.04.953	513.04.963
450 mm	513.04.954	513.04.964
500 mm	513.04.955	513.04.965
<b>Bronze</b> (suits 16 mm drawer base and rear panel)		
270 mm	513.04.150	513.04.160
350 mm	513.04.152	513.04.162
400 mm	513.04.153	513.04.163
450 mm	513.04.154	513.04.164
500 mm	513.04.155	513.04.165



- !** > Installation information is shown on page **20-23**
- > Full product details shown on page **24-27**

YOU ALSO NEED:

**✓ DRAWER BACKS & BASES**  
Pages 54-55 (16 mm only)

**✓ FIXING SCREWS**  
Section 13 pgs 88-90

**OPTIONAL ACCESSORIES**  
Pages 32-50

PAGE AMENDED  
20.11.20/2