

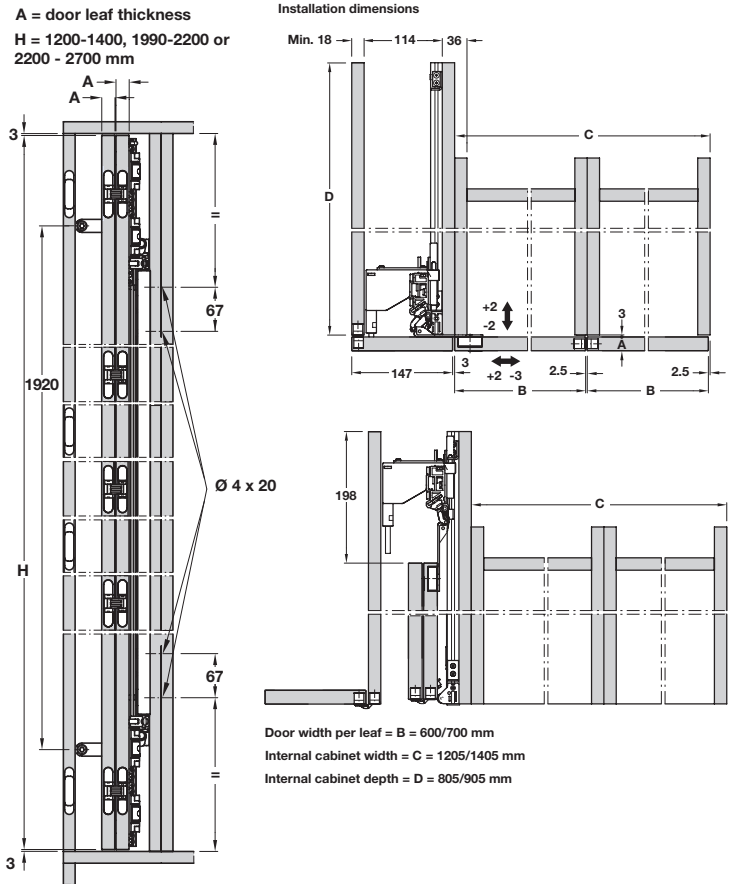
FINETTA SPINFRONT 60 FOR DOUBLE PIVOT DOORS

Unique system for bi-folding doors that open as conventional doors then push away from view back into the cabinet.

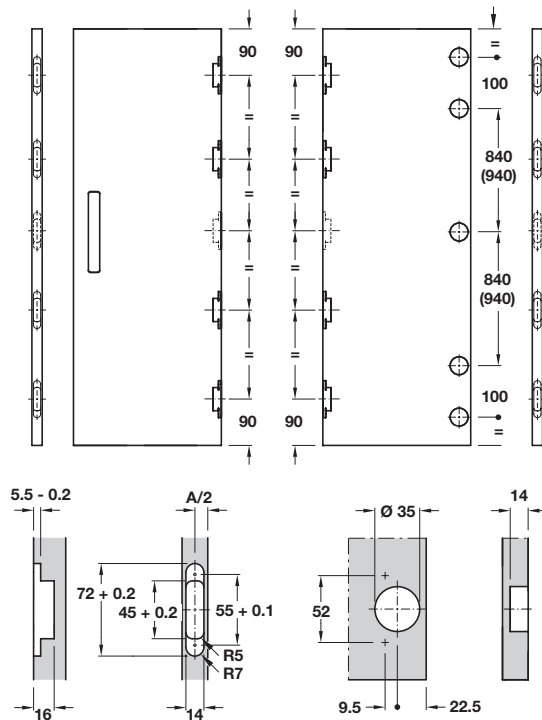
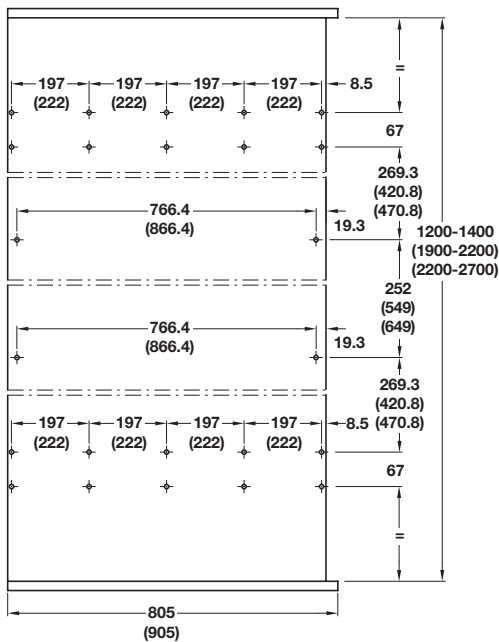
Sliding Door Fittings for Furniture: Pivot Sliding Cabinet Door



- > Finetta Spinfront 60
- > Range:
For door height: **1200-1400/1990-2200/2200-2700 mm**
For cabinet depth: **805 mm**
Max. door width: **600 mm**
Max. door weight for 5 hinges **30 kg** (per pair of panels **60 kg**)
Door thickness **18 - 30 mm**
- > For left and right hand use
- > Set for a double door folding the same way comprises pivot assembly with backing panel, hinges and sliding mechanism
- > Running gear guided by ball bearing mounted runners



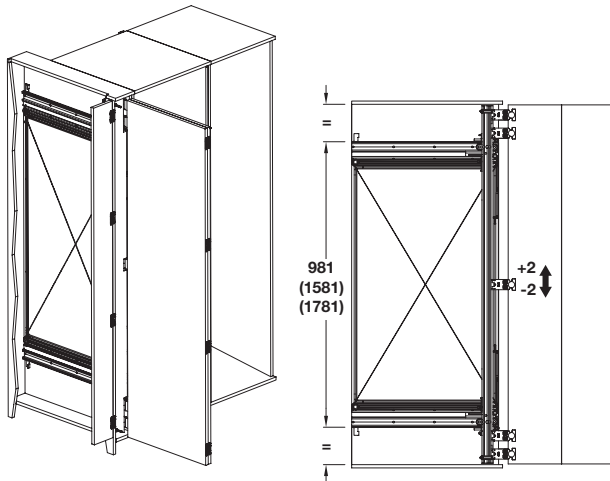
Drilling pattern
 Hinges and connection fittings 1200-1400, 1990-2200 (2200 - 2700) mm door height



TOH AH 2019, © Häfele U.K. Ltd 2019. Dimensional data not binding. We reserve the right to alter specifications without notice.

Finetta Spinfront 60 2D complete set

> Order qty: 1 set

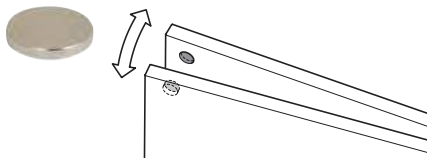


The mechanisms are ready for installation, it is not necessary to remove or prepare components. In particular, we note that the hinges must be fixed to the door leaf as they are in the packaging, after which the total door leaf plus hinge should be fixed to the aluminium bar of the system



Internal installation depth	Door height	For 1 double door
805 mm	1200 - 1400 mm	408.45.008
805 mm	1990 - 2200 mm	408.45.010
805 mm	2200 - 2700 mm	408.45.012
Additional hinge (1 pc)		408.45.111

Magnet

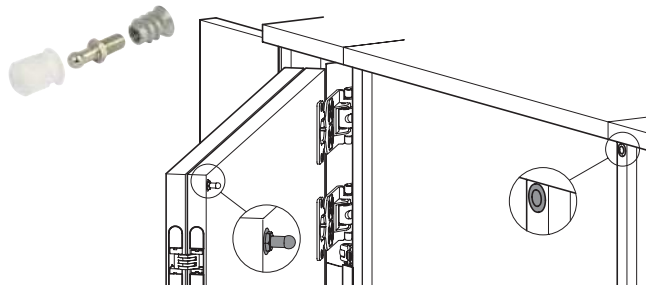


- > For double door applications
- > Folding door leaves
- > Set includes 4 magnets, Ø 20 x 3 mm
- > Order qty: 1 set



Finish	Cat. No.
Polished chrome	408.45.102

Pin and sleeve

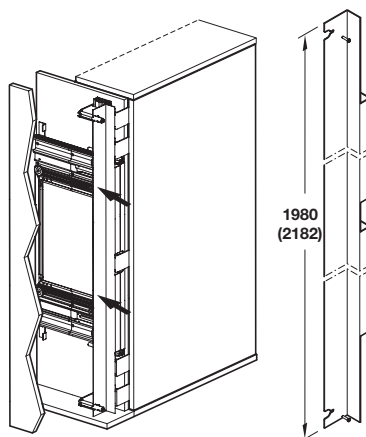


- > For fixing to cabinet
- > Polished chrome pin, galvanized and white plastic inserts
- > Order qty: 1 pc



	Cat. No.
Pin and sleeve	408.45.103

Cover profile



- > 1980 or 2182 mm length
- > For double door applications
- > Satin anodised aluminium
- > Order qty: 1 pc



Door height	Cat. No.
1990 - 2200 mm	408.45.100
2200 - 2700 mm	408.45.101