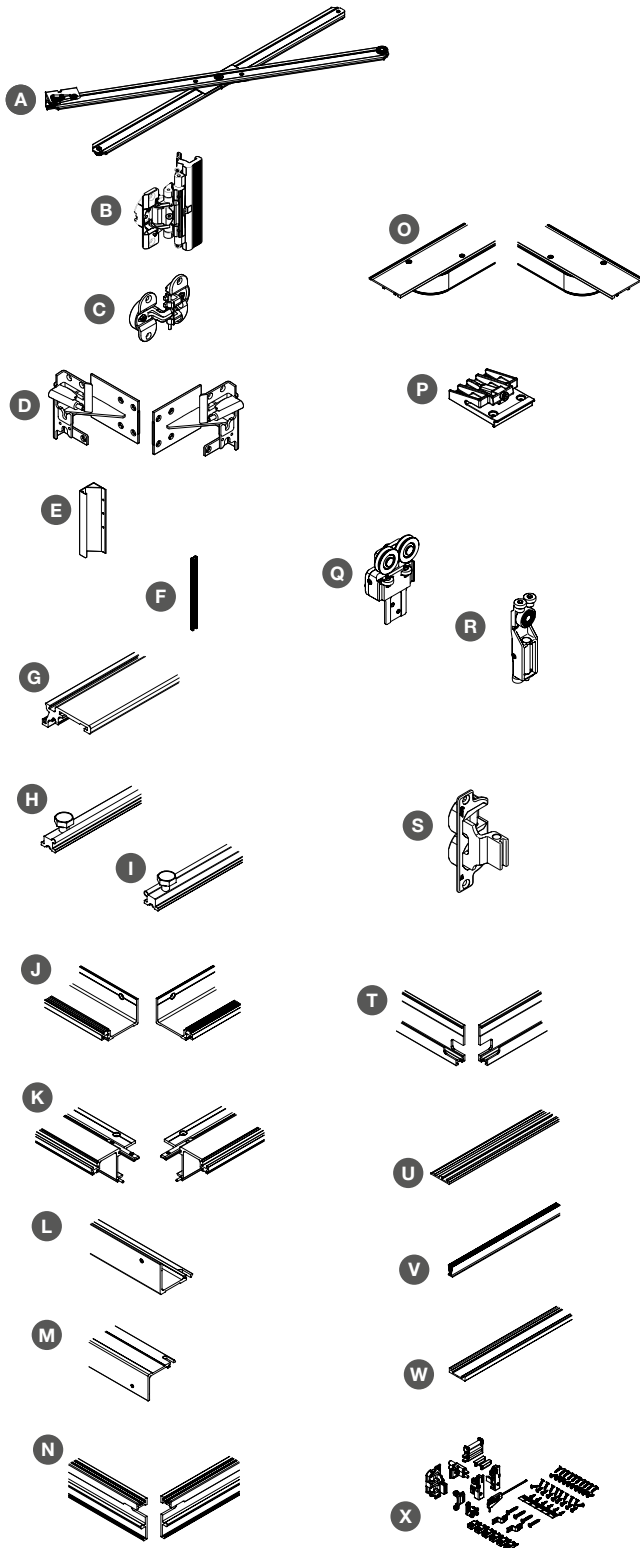
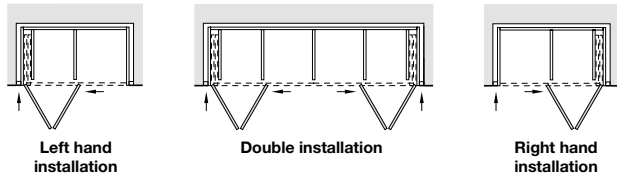


HAWA-Folding Concepta 25 fitting sets, soft closing



- > The HAWA-Folding Concepta set for one bi-folding door pair includes all the hardware components, scissor and top track
- > Sets are handed left and right and available for door heights of 1250-1850 mm and also 1851-2600 mm
- > Top track and bottom profile are fitted easily from the front
- > Set includes
 - A Pivot scissor assembly, galvanized steel, 900 or 1500 mm height
 - B Concealed hinge with soft closing mechanism, galvanized, 3 or 4 pcs
 - C Concealed centre hinge, dull nickel finish, 3 or 4 pcs
 - D Rear scissor bearing, galvanized steel, left or right hand
 - E Rear scissor guide, anodized aluminium, 1 pc
 - F Front scissor guide, anodized aluminium, 1 pc
 - G Upright, anodized aluminium, 1800 or 2500 mm height
 - H Connector connecting profile, bottom left/top right, 500 mm, anodised aluminium, 1 pc
 - I Connector connecting profile, bottom right/top left, 500 mm, anodised aluminium, 1 pc
 - J Interior connector, bottom, 645 mm, anodized aluminium, left or right hand
 - K Interior connector, top, 645 mm, anodized aluminium, left or right hand
 - L Exterior connecting profile, bottom left/top right, 645 mm, anodised aluminium, 1 pc
 - M Exterior connecting profile, bottom right/top left, 645 mm, anodised aluminium, 1 pc
 - N Top track, 750 mm, anodized aluminium, left or right hand
 - O Top track with curve, anodized aluminium, left or right hand
 - P Adapter for top track, plastic, anthracite-grey, 4 pieces
 - Q Trolley hanger, with 2 plastic-tyred ball bearing wheels, height-adjustable, dull nickel finish, 1 pc
 - R Trolley hanger, single wheeled, for folding door, dull nickel finish, 1 pc
 - S Concealed press-fit cup hinge, dull nickel finish, 1 pc
 - T Bottom guide channel, 750 mm, anodized aluminium, left or right hand
 - U Profile, black plastic, 1 pc, 1850 or 2620 mm height
 - V Guide brush, 10 mm height, black, 1 pc, 1850 or 2620 mm height
 - W Covering screen for panel clearance, anodized aluminium, 1870 or 2620 mm height
 - X Spare parts set, for 1250-1850 or 1851-2600 mm door height, handed
- > Order qty: 1 set

Take care as the pull out unit is extremely sensitive - Please read fitting instructions carefully

For door height	Left hand	Right hand
1250-1850 mm	408.31.008	408.31.009
1851-2600 mm	408.31.010	408.31.011

Planofit door straightening system must be used with HAWA-Concepta to add rigidity to wooden doors, must be ordered separately, shown on pages **194-195**

TCH AH 2019, © Häfele U.K. Ltd 2019. Dimensional data not binding. We reserve the right to alter specifications without notice.