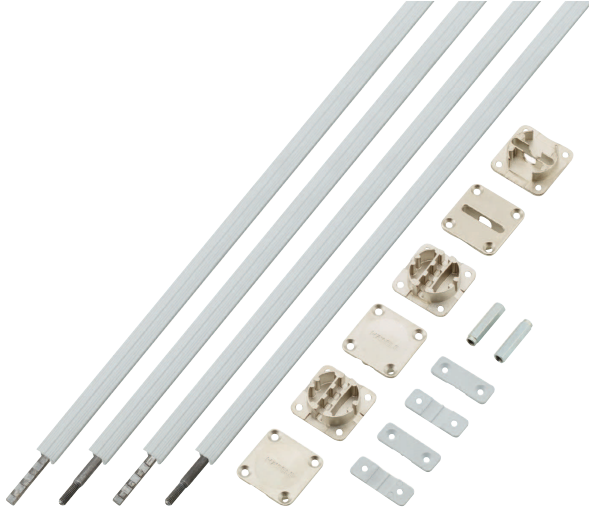


# DOOR STRAIGHTENING SYSTEM

Adds rigidity to wooden sliding or hinged doors from 16 mm thick and prevents warping in either direction. Ideal for large, heavy, sliding or hinged doors. Suitable for retro fitting; can straighten warped doors.

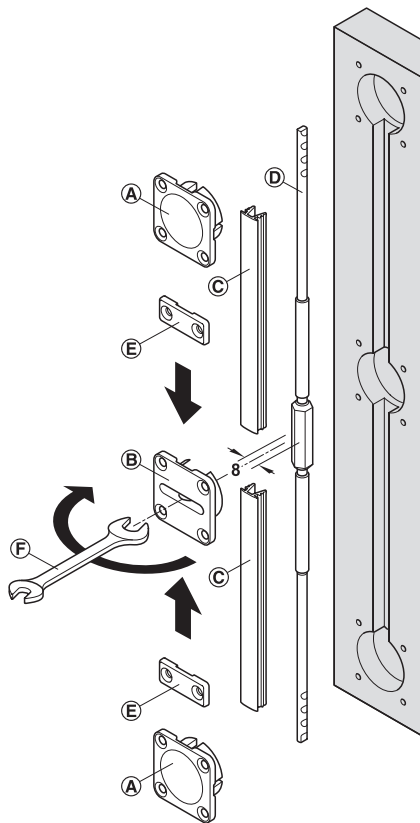
Sliding Door Fittings for Furniture: Accessories for Sliding Cabinet Doors

## Straightening fitting for wooden doors

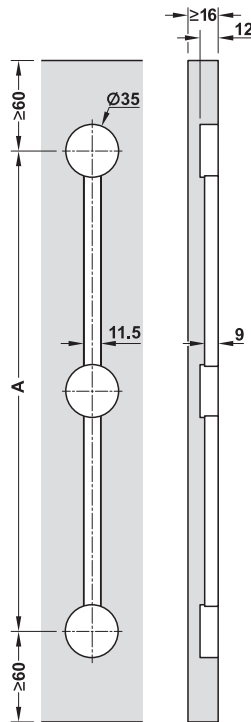


- > For hinged and sliding doors, prevents doors warping in either direction or straightens doors which have become warped
- > Set includes 2 straightening fittings including all individual components and open-ended spanner
- > Normally two straightening fittings are recommended per door panel
- > Installation: For recess mounting and screw fixing
- > Adjustment facility: Via pre-mounted hexagonal nut, with SW 8 open-ended spanner
- > Note: Not suitable for hardwood
- > For door heights: 2000-2650 mm
- > For door thickness: Min. 16 mm
- > Material: Steel threaded bar, zinc alloy tensioner, plastic trim strip
- > Finish/colour: Nickel plated tensioner, grey cover profile
- > Order qty: 1 set

### Installation



### Drilling pattern



- A** Top and bottom tensioner
- B** Centre tensioner
- C** Trim strip
- D** Threaded bar
- E** Retaining plate
- F** Open-ended spanner

Door height	Dim. A	Cat. No.
Max. 2250 mm	1838 mm	406.99.613
Max. 2450 mm	1988 mm	406.99.614
Max. 2650 mm	2248 mm	406.99.615



- > Not suitable for hardwood
- > Please note when using this product with lacquered panels a pattern of the routed recesses may emerge on the front