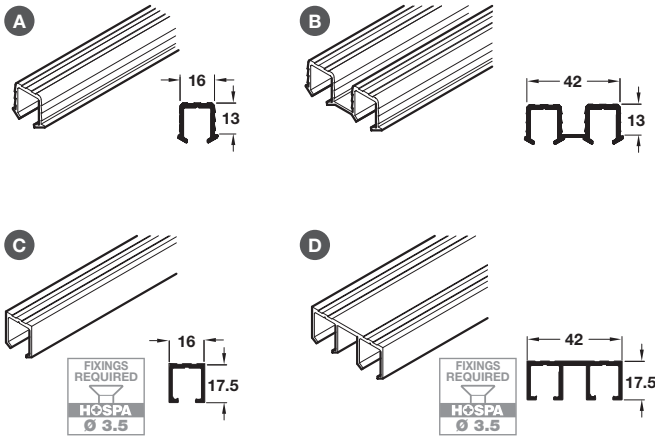


Slido Classic top tracks

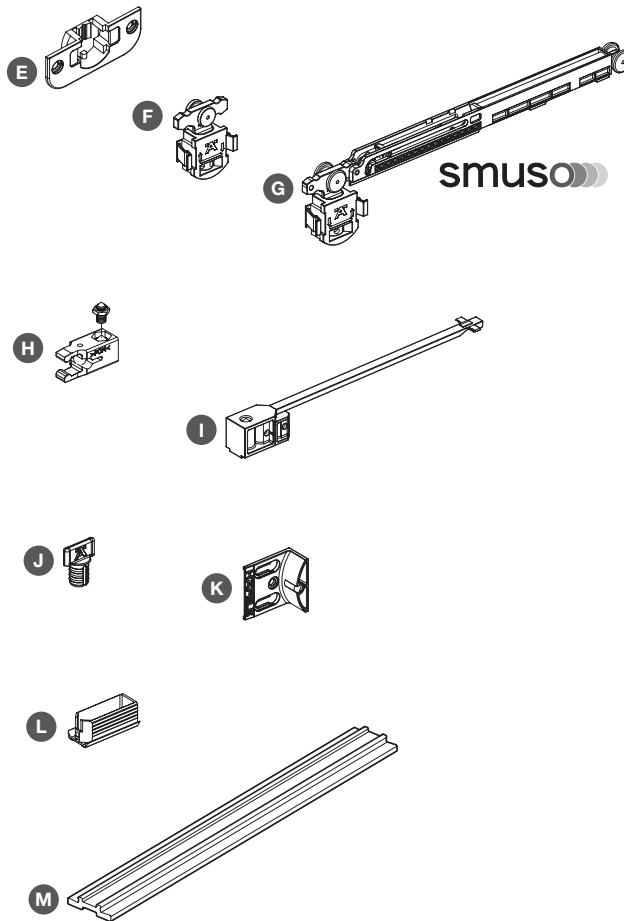


- > Order single or double tracks depending on application
- > For min 19 mm board thickness
- A Single top track, for 16 mm groove, bright aluminium
- B Double top track, for 16 mm groove, bright aluminium
- C Single top track, for screw fixing, silver coloured anodised aluminium
- D Double top track, for screw fixing, silver coloured anodised aluminium
- > Order qty: 1 pc



Length	2.5 m	3.5 m
A Single track, groove mounted	402.33.642	402.33.643
B Double track, groove mounted	402.33.652	402.33.653
C Single top track, screw fixing	402.30.642	402.30.643
D Double top track, screw fixing	402.30.652	402.30.653

Slido Classic 12 IF C fitting set, for 2 doors

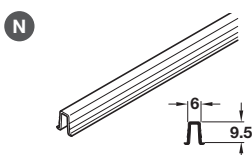


- > Fitting set includes:
- E Housing, for screw fixing, grey plastic
- F Running gear, with friction bearing, for clip fixing into housing, grey plastic
- G Running gear, with soft and self closing and friction bearing, grey plastic
- H Clip in door stopper, for top track, grey plastic
- I Door stopper, for soft and self closing mechanism, for top track, grey plastic
- J Guide, for press fitting, grey plastic
- K Stop bracket, with buffer, galvanized steel
- L Inspection support, for use as inspection cover, grey plastic
- M Mounting aid, for track installation, red plastic
- > Order qty: 1 set



Fitting set for 2 doors	without soft close	with soft close
E Housing	4 pcs	4 pcs
F Running gear	4 pcs	2 pcs
G Running gear, soft close	-	2 pcs
H Clip in door stopper	4 pcs	2 pcs
I Door stopper, for soft close	-	2 pcs
J Guide	2 pcs	2 pcs
K Stop bracket	1 pc	1 pc
L Inspection support	2 pcs	-
M Mounting aid	1 pc	1 pc
Cat. No.	402.33.013	402.33.014
Additional item		
J Guide	402.30.220	

Slido Classic bottom guide track



- > For press fitting and gluing into 6 mm groove
- > Ribbed, grey plastic
- > Order qty: 1 pc



Length	2.5 m	3.5 m
N Single bottom guide track	402.30.802	402.30.803

TCH AH 2019, © Häfele U.K. Ltd 2019. Dimensional data not binding. We reserve the right to alter specifications without notice.

PAGE AMENDED
17.03.20/1

SALES DEPARTMENT 0800 171 2909

TECHNICAL SUPPORT 0800 171 2908