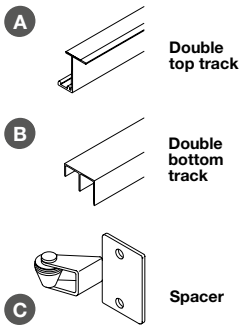


Slido Classic 50 VF P tracks and spacer

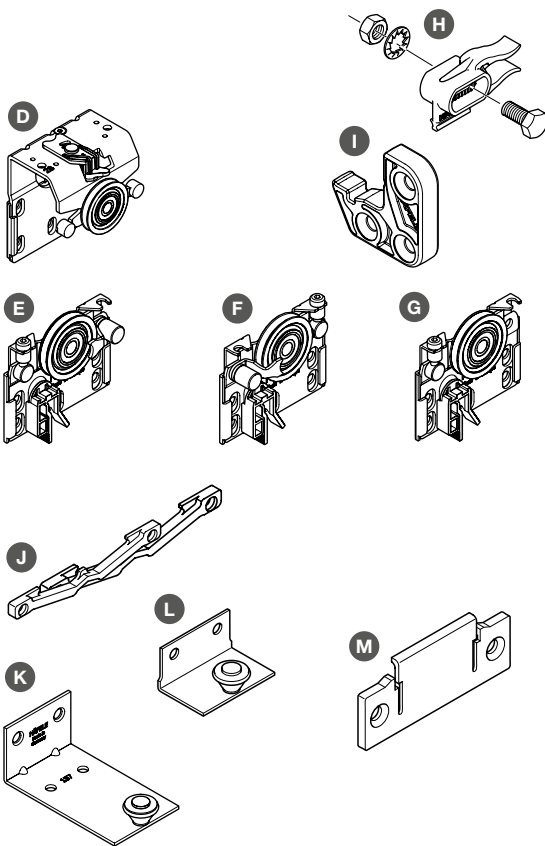


- > Order tracks and spacer separately
- A Double top running track, for screw fixing, silver coloured anodised aluminium
- B Double bottom running track, for screw fixing, silver coloured anodised aluminium
- C Spacer, for screw fixing to rear door, distance 20 mm, galvanized steel with plastic roller



Item	2.5 m	3.5 m
A Double top running track	400.52.962	400.52.963
B Double bottom running track	400.52.954	400.52.955
Additional items	Order qty.	Cat. No.
C Spacer	1 pc	400.60.000

Slido Classic 50 VF P fitting set for 2 or 3 doors

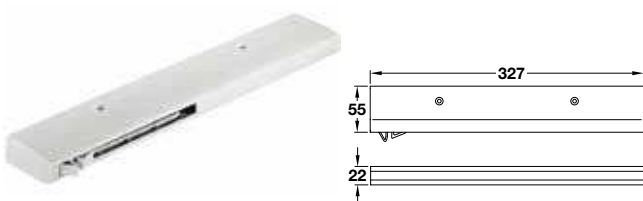


- > Fitting set includes:
- D Running gear, for outer door, plastic roller with ball bearing, with pre-mounted anti-derailment device, galvanized steel
- E Running gear, left hand, for inner door, with bolt, plastic roller with ball bearing, galvanized steel
- F Running gear, right hand, for inner door, with bolt, plastic roller with ball bearing, galvanized steel
- G Running gear, for inner door, without bolt, plastic roller with ball bearing, galvanized steel
- H Track stopper, for mounting in double top running track, grey plastic
- I Stabilising block, for double top running track, grey plastic
- J Centre door stopper, grey plastic
- K Bottom guide, for outer door, with plastic guide, galvanized steel
- L Bottom guide, for inner door, with plastic guide, galvanized steel
- M Clip for bottom guide, plastic
- > Order qty: 1 set



Item	For 2 doors	For 3 doors
D Running gear, for outer door	2 pcs	2 pcs
E Running gear, left, for inner door	1 pc	1 pc
F Running gear, right, for inner door	-	1 pc
G Running gear, for inner door	1 pc	2 pcs
H Track stopper	2 pcs	2 pcs
I Stabilising block	2 pcs	2 pcs
J Centre door stopper	-	1 pc
K Bottom guide, for outer door	2 pcs	2 pcs
L Bottom guide, for inner door	2 pcs	4 pcs
M Clip for bottom guide	4 pcs	6 pcs
For 16-22 mm door thickness	400.51.532	400.51.533

Smuso CD soft closing mechanism



- > For max. sliding door weights **50 kg**
- > For two door fitting set only
- > For screw fixing underneath or above cabinet top
- > For left or right hand use
- > Light grey plastic
- > Order qty: 1 pc (1 pc required per door)



Order follower bracket and spacer plate separately, shown on page **24D**

For door weight	Cat. No.
Up to 50 kg	405.11.107

TCH AH 2019, © Häfele U.K. Ltd 2019. Dimensional data not binding. We reserve the right to alter specifications without notice.