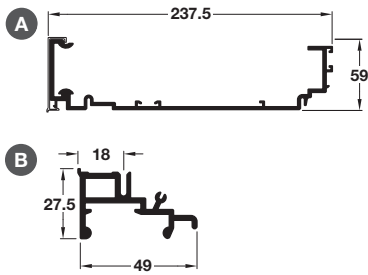


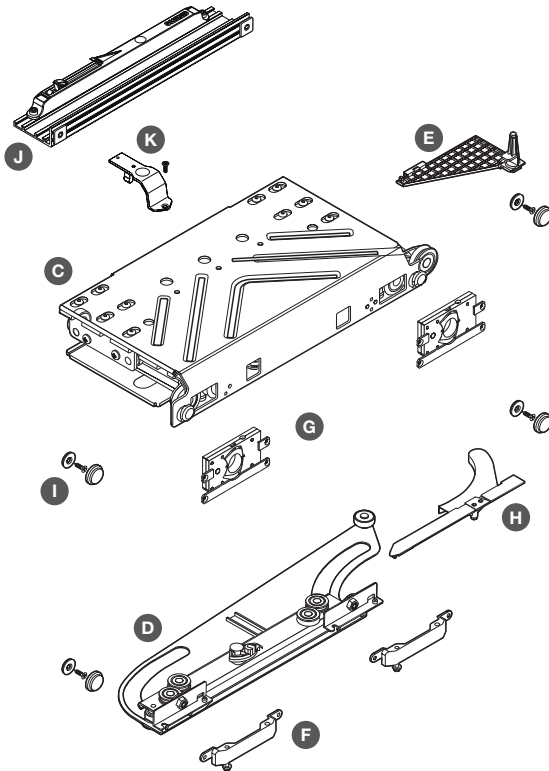
PS40.1 top and bottom guide rails



- > Order top and bottom guide rails separately
- > For screw fixing
- > Length 3050 mm
- > Polished silver (RAL 9006) anodised aluminium
- > Order qty: 1 pc

Length	3050 mm
A Top guide rail	400.50.763
B Bottom guide rail	400.50.965

PS40.1 fitting set for 1 door



- > Order 1 left and 1 right hand door set
- > Fitting set, handed, for 1 door include:
 - C Top guide, handed, 1 pc
 - D Bottom guide, handed, 1 pc
 - E Top device for door hooking/adjustment, zinc alloy, 1 pc
 - F Bottom device for fixing bottom guide to door, zinc alloy, 2 pcs
 - G Top lock, handed, plastic, 1 pc
 - H Bottom lock, handed, zinc alloy, 1 pc
 - I Door corners spacers set, 1 set
 - J Soft closing device, handed, 1 pc
 - K Activator for soft closing device, handed, metal, 1 pc
- Fixings and assembly instructions are included
- > Order qty: 1 set

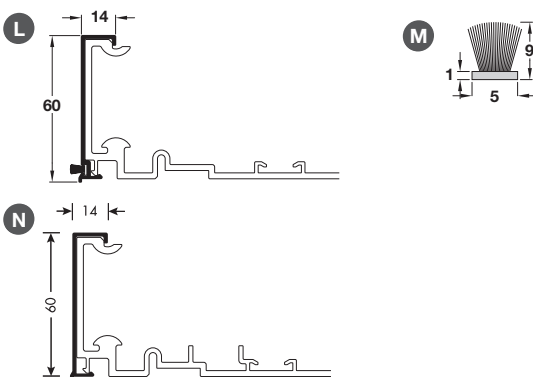


Installation instructions must be adhered to, please see website for fitting instructions and video. Please note below for important points:
Cassette (c) must be fully open first and then installed into the guide rail
There must be a 1 mm clearance on the sprocket on the bottom guide beneath the door



Fitting set	for left hand door	for right hand door
Cat. No.	400.50.008	400.50.001

PS40.1 cover profile for top guide rail



- > Slides onto PS40 top guide rail
- > With groove for insertion of dust brush
- > Order dust brush M Cat. No. 400.50.500 separately, if required
- > Satin silver anodised aluminium
- > Order qty: 1 pc

Length	3050 mm
L Cover profile	400.50.764
M Dust brush profile	400.50.500
N Cover profile	400.50.765

PS40.1 complete fitting set with tracks



Complete system for 2 flush sliding doors



- > Complete set includes top and bottom guide rails, 3050 mm length, fitting sets for left and right hand doors, cover and dust brush profiles
- > Order qty: 1 set



For 16-55 mm door thickness	Cat. No.
PS40 set for 2 doors	400.50.016