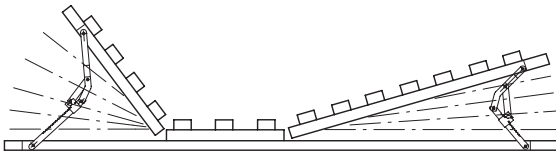


BED FITTINGS

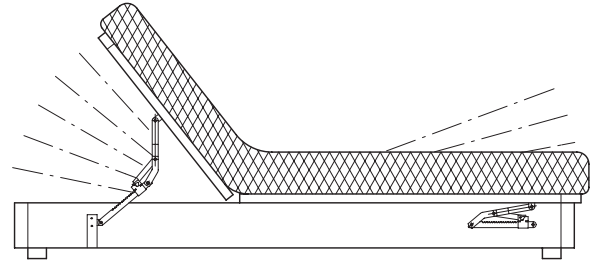
Heavy duty scissor action.

- > Ratchet adjustment allows innumerable angle combinations to be achieved through installation at the head and foot sections of the support frame
- > All scissor jacks can be used for the head or foot section. Lowering is achieved by lifting over the upper end position

Application for scissor jacks ...

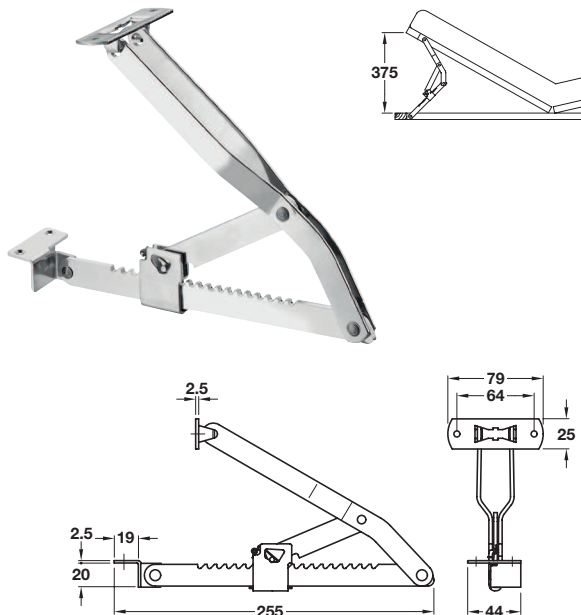


... for adjustable head and foot sections of mattress bases ...



... and other uses including hospital beds, massage couches, drawing boards etc.

Scissor jack



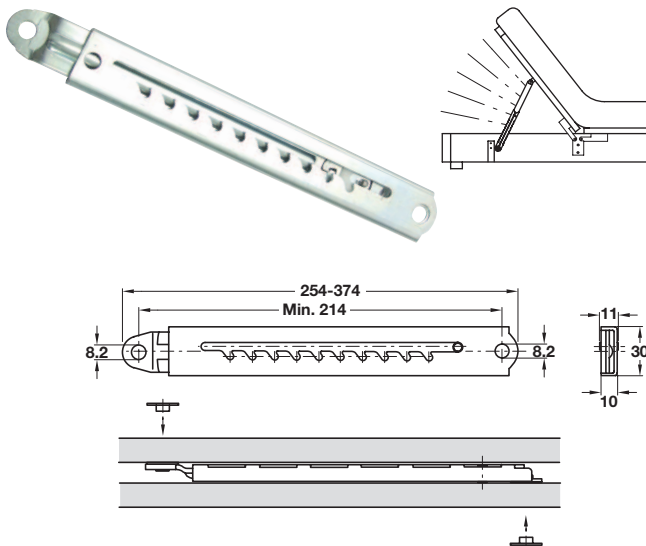
- > Unhanded design
- > Raising height: max. 375 mm in 19 stages
- > Complete with mounting plates
- > Steel
- > Order fixing screws separately
- > Order qty: 1 pc

274.01.830 HAS REPLACED NUMBER 274.01.930



Finish	Cat. No.
Blue zinc galvanized	274.01.930

Telescopic ratchet fitting



- > Ratchet adjustment allows innumerable angle combinations to be achieved through installation at the head and foot sections of the support frame
- > 10 adjusting positions
- > Steel
- > Order qty: 1 pc

Finish	Cat. No.
Silver	274.06.913

TCH DESIGN 2020. © Häfele U.K. Ltd. 2020. Dimensional data not binding. We reserve the right to alter specifications without notice.

PAGE AMENDED
19.10.20/1