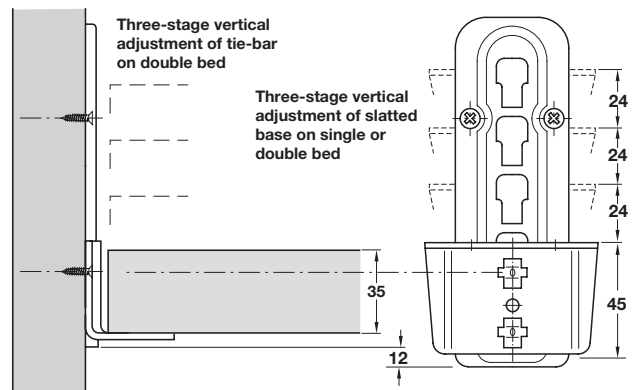
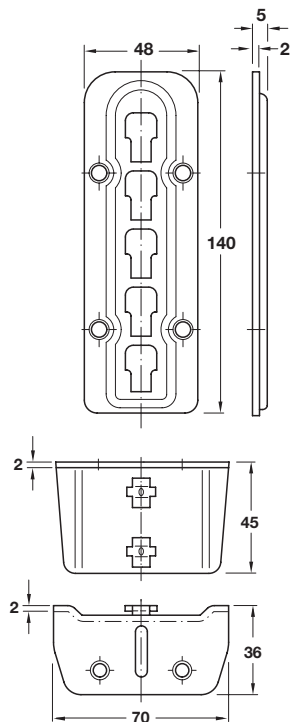


*Mounting note: When used on double beds with a 35 mm thick tie-bar, the slotted retaining plates at the head and foot must be mounted 5 mm higher than those on the side panels, so that the supporting surfaces will all be at the same level



Bed fitting



- > Adjustable
- > Screw fixing
- > For single or double beds
- > Supporting fitting, also suitable for securing central tie bars by reversing the bracket
- > Allows for retrospective adjustment of slatted bases for mattresses and upholstered furniture
- > Consists of:
 - 1x mounting plate
 - 1x bracket support
- > Steel
- > Order qty: 1 pc



Finish	Cat. No.
Blue galvanized	273.41.550



Hospa screws are shown in **Section 13** pages **8-16**