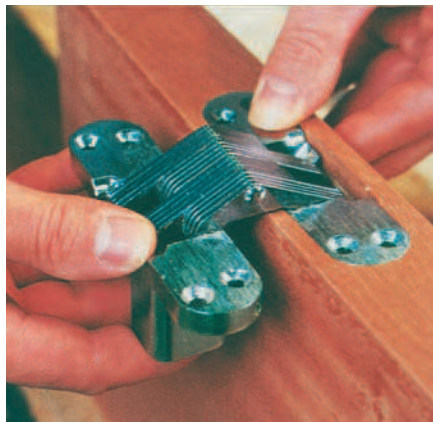


SOSS HINGES

Concealed installation acts as a deterrent, ideal for either timber or metal doors where robust usage required.



Aluminium routing jigs...



... for easy insertion of Soss hinges

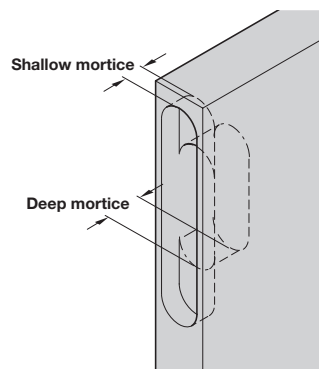
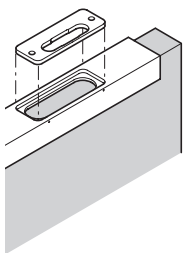


for timber or metal doors

Routing jig sets for Soss hinges



- > To suit 76 mm thick doors
- > Comprises universal base plate and set of slot-in templates packed in carry case
- > Cabinet set comprises templates for Soss hinges 203, 204, 101 and 208
- > Medium/heavy set comprises templates for Soss hinges 212, 216, 218, and 220
- > Each individual jig consists of 2 templates, one for routing the shallow mortise, and a second for the deep mortise
- > Base plate is designed in such a way that the templates cannot be inserted incorrectly
- > Clear anodised aluminium base plate and templates packed in blue plastic carry case
- > Note: Soss hinges 101 and 203 are not shown in this catalogue. Information on request
- > Order qty: 1 set



Soss hinge	Cat. No.
101	341.07.518 / 718
203	341.07.527 / 727
204	341.07.536 / 736 / 538 / 738
208	341.07.545 / 745 / 548 / 748

Application	For soss hinges	Cat. No.
Cabinet	203, 204, 101, 208	002.13.801
Medium/heavy duty	212, 216, 218, 220	002.13.800